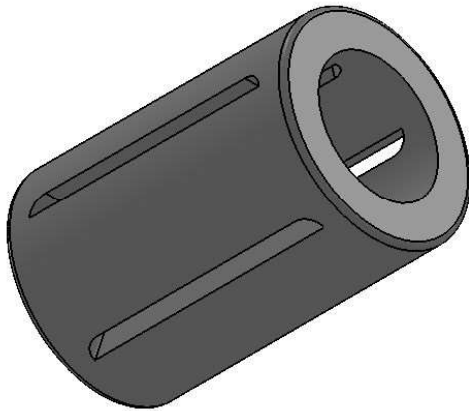
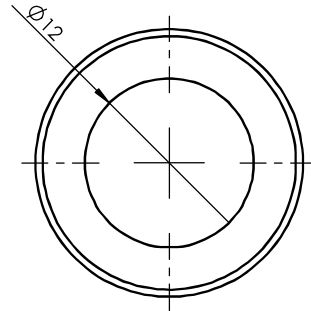
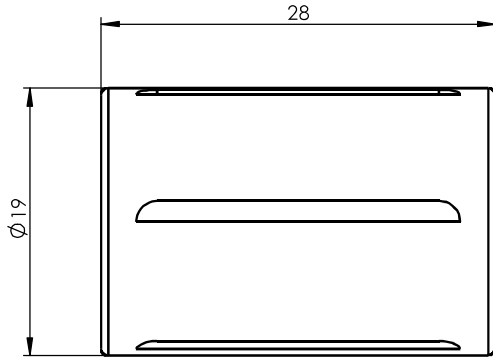


Size Unit: mm



Register  
Tracing  
Calibrating  
Former No.  
Drawing No.

						KH1228			Drawing No.		
Signature									Material		Heat Treatment
Marker		Numbers		Reversion		Signature		Date			
Design				Standarization				Drawing Mark		Weight	
Check				Approved							
Date		Review									
Technics				Date		2013-10-14		A Total Of 1 Pages		Page No. 1	