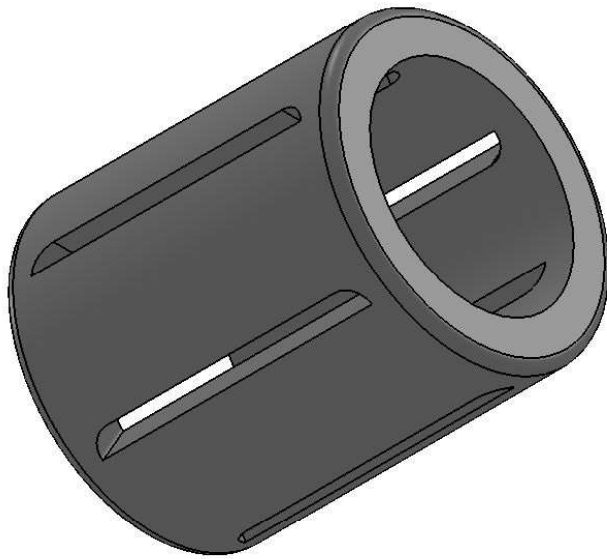
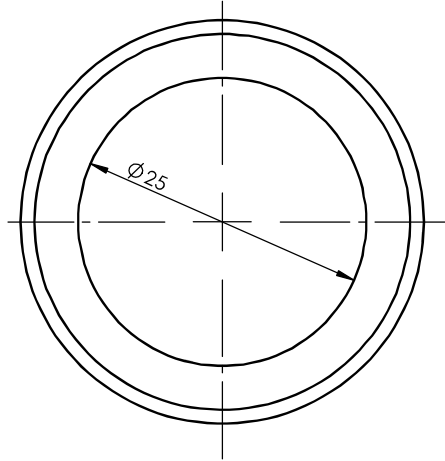
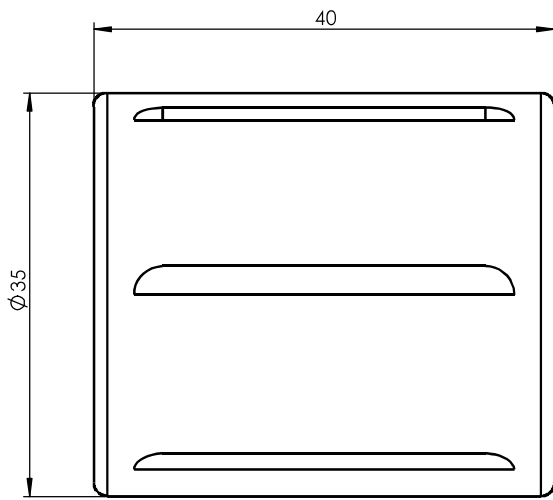


Size Unit: mm



Register
Tracing
Calibrating
Former No.
Drawing No.

						KH2540			Drawing No.	
									Material	
Signature		Marker	Numbers	Reversion	Signature	Date	Drawing Mark		Weight	Scale
Date		Design		Standarization		Approved				
		Check								
		Review								
		Technics		Date		2013-10-14		A Total Of 1 Pages		Page No. 1