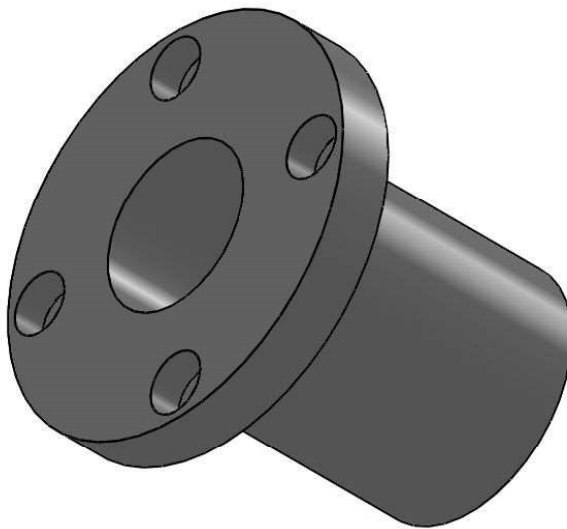
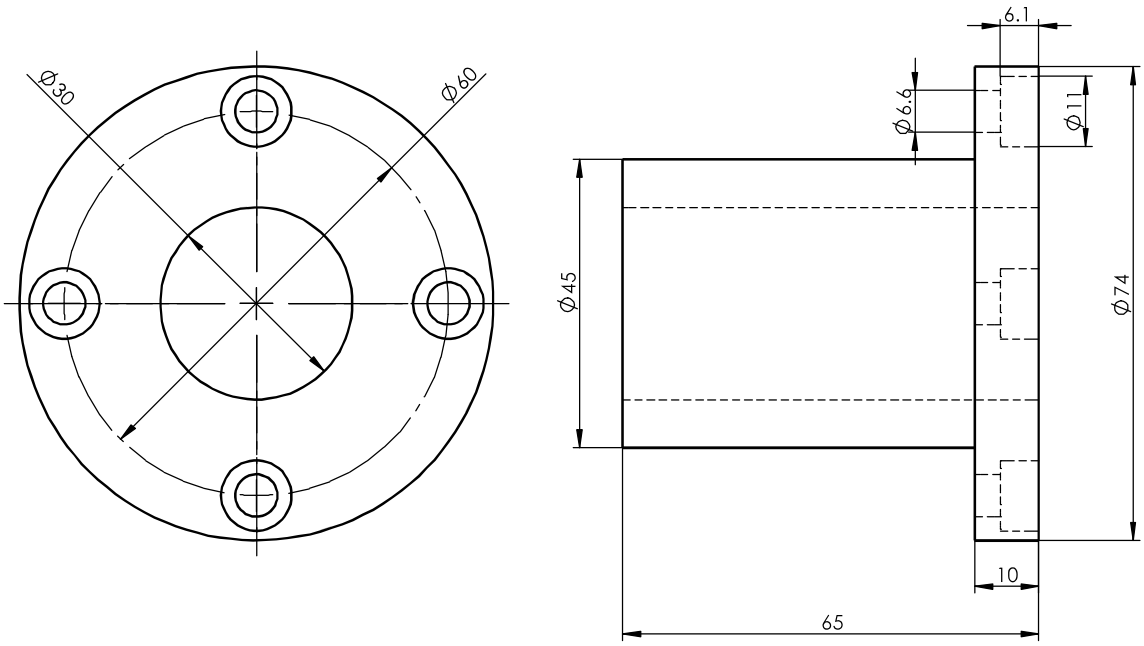


Size Unit: mm



Register
Tracing
Calibrating
Former No.
Drawing No.

						STF30B			Drawing No.		
Signature									Material		Heat Treatment
Marker		Numbers		Reversion		Signature		Date			
Design		Standarization				Drawing Mark		Weight		Scale	
Date		Check		Approved							
		Review									
		Technics		Date		A Total Of 1 Pages		Page No. 1			