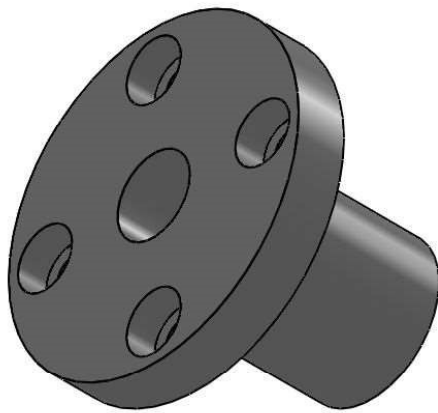
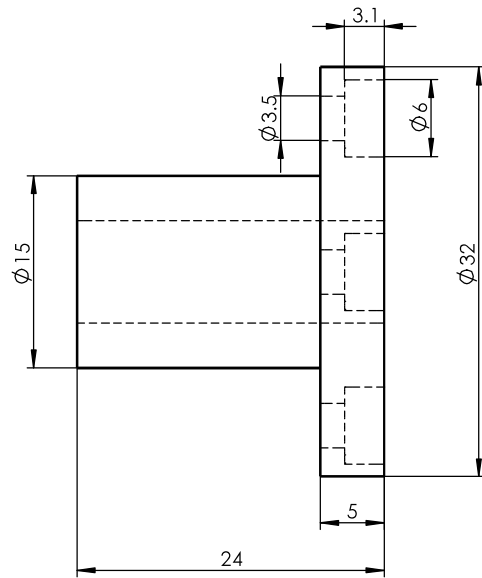
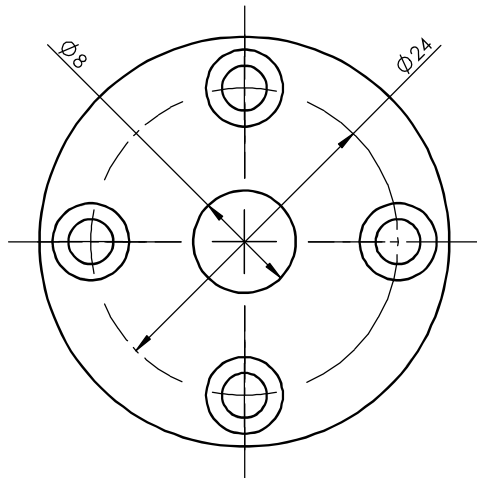


Size Unit: mm



Register
Tracing
Calibrating
Former No.
Drawing No.

| | | | | | | | | | | |
|-----------|--|----------|----------------|--------------------|--|------------|-------|--|-------------|--|
| | | | | | | STF8B | | | Drawing No. | |
| Signature | | | | | | | | | Material | |
| Date | | Design | Standarization | Drawing Mark | | Weight | Scale | | | |
| | | Check | Approved | | | | | | | |
| | | Review | | | | | | | | |
| | | Technics | Date | A Total Of 1 Pages | | Page No. 1 | | | | |