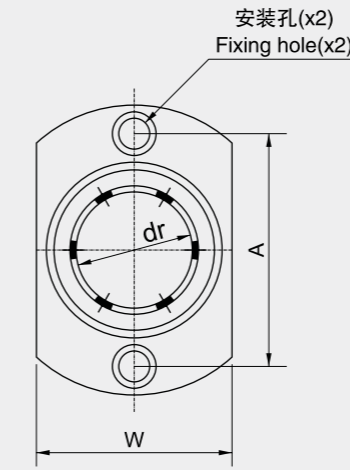
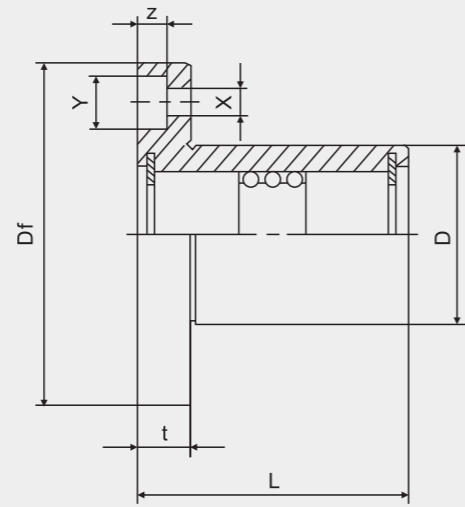


法兰型行程轴承(重负荷型) : STH...B
 可进行旋转运动、有限直线运动及复合运动;
 可用螺丝固定安装法兰, 运动承载能力更强, 便于组装。
 所有型号均可根据客户要求做镀镍处理, 有防锈作用。

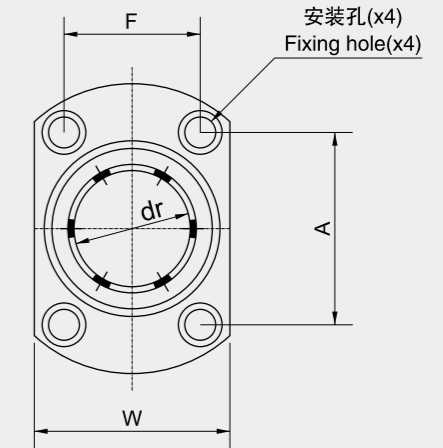
Flanged Ordinary type(Heavy duty type): STH...B
 Flanged stroke bearing is a linear and rotational motion mechanism utilizing the rotational motion of ball elements between an outer cylinder and a shaft, with bigger loading capacity, which is easy assembling. All models can be done with nickle paltd according to customers' requirements , with function of rust-proof.



STH...B



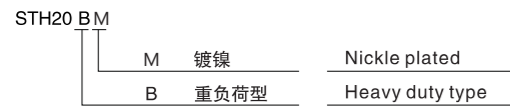
轴径小于或等于13mm
STH13 or Less



轴径大于或等于16mm
STH16 or More

椭圆法兰 STH	重量 Weight (g)	最大行程 Maximum stroke mm	钢球列数 Number of rows	主要尺寸和公差 Major dimensions and tolerance						
				dr		D		L		
				mm	公差 Tolerance μ m	mm	公差 Tolerance μ m	mm	公差 Tolerance μ m	
STH6B	23	8	6	6	+22 +13	12	0 -13	20	± 300	
STH8B	37	8	6	8		15		24		
STH10B	65	8	6	10	+27 +16	19	0 -16	30		
STH12B	86	8	6	12		23				32
STH13B	86	8	6	13		23		32		
STH16B	123	16	6	16		28		37		
STH20B	187	20	6	20	+33 +20	32	0 -19	45		
STH25B	232	20	6	25		37				45
STH30B	312	44	6	30	+41 +25	45	0 -22	65		0 -300
STH35B	586	54	6	35		52				
STH40B	1,069	66	6	40		60			80	

主要尺寸和公差 Major dimensions and tolerance								垂直度 Squareness μ m	额定负荷 Basic load rating	
法兰 Flange									动负荷 Dynamic C N	静负荷 Static Co N
Df mm	W mm	t mm	A mm	F mm	X mm	Y mm	Z mm			
28	18	5	20	-	3.5	6	3.1	12	312	358
32	21	5	24	-	3.5	6	3.1		490	549
40	25	6	29	-	4.5	7.5	4.1		931	1,030
43	29	6	33	-	4.5	7.5	4.1		1,630	1,720
43	29	6	33	-	4.5	7.5	4.1		1,630	1,720
48	34	6	31	22	4.5	7.5	4.1		1,910	1,980
54	38	8	36	24	5.5	9	5.1	15	2,060	2,320
62	46	8	40	32	5.5	9	5.1		2,170	2,670
74	51	10	49	35	6.6	11	6.1		4,800	6,270
82	60	10	55	38	6.6	11	6.1		5,050	7,060
96	70	13	64	45	9	14	8.1	20	6,710	9,560



国际单位: 1N≈0.225lbs
 1kg≈2.205lbs
 SIUNIT: 1N≈0.225lbs
 1kg≈2.205lbs