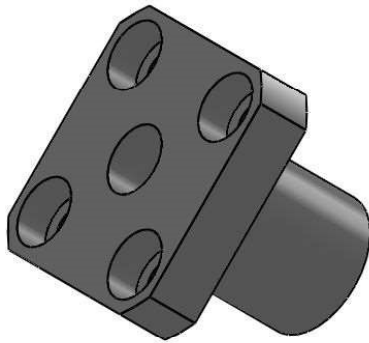
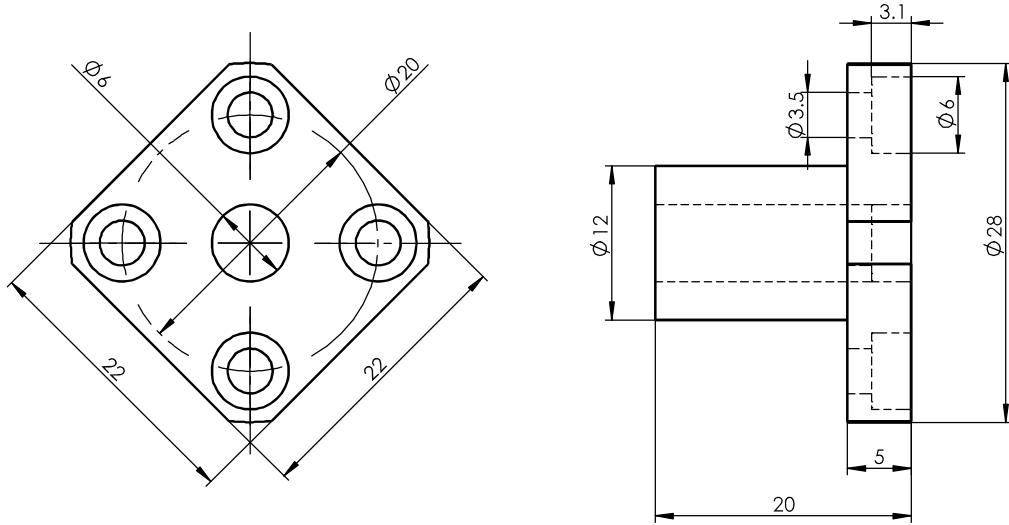


Size Unit: mm



Register  
Tracing  
Calibrating  
Former No.  
Drawing No.

|           |  |          |                |                    |        |            |  |  |             |                |
|-----------|--|----------|----------------|--------------------|--------|------------|--|--|-------------|----------------|
|           |  |          |                |                    |        | STK6       |  |  | Drawing No. |                |
| Signature |  |          |                |                    |        |            |  |  | Material    | Heat Treatment |
| Date      |  | Design   | Standarization | Drawing Mark       | Weight | Scale      |  |  |             |                |
|           |  | Check    | Approved       |                    |        |            |  |  |             |                |
|           |  | Review   |                |                    |        |            |  |  |             |                |
|           |  | Technics | Date           | A Total Of 1 Pages |        | Page No. 1 |  |  |             |                |