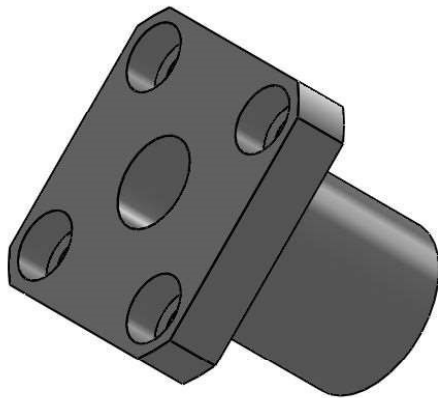
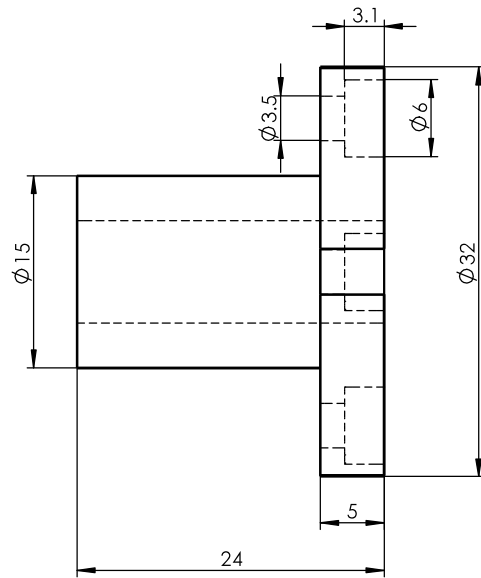
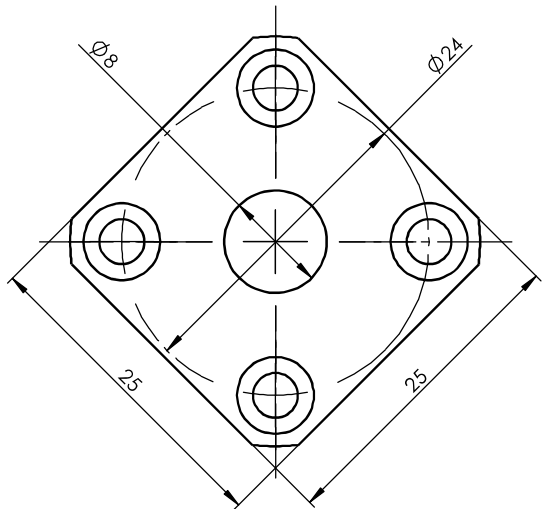


Size Unit: mm



Register
Tracing
Calibrating
Former No.
Drawing No.

| | | | | | | | | | | | |
|-----------|--|--------|--|----------------|--|--------------------|--|------------|-------------|-------|----------------|
| | | | | | | STK8B | | | Drawing No. | | |
| Signature | | | | | | | | | Material | | Heat Treatment |
| Date | | Design | | Standarization | | Drawing Mark | | Weight | | Scale | |
| Date | | Check | | Approved | | | | | | | |
| Date | | Review | | | | | | | | | |
| Technics | | | | Date | | A Total Of 1 Pages | | Page No. 1 | | | |