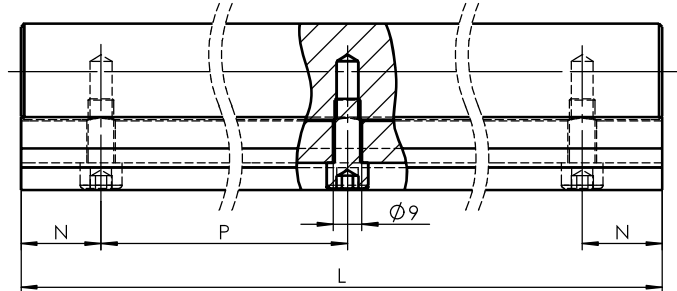
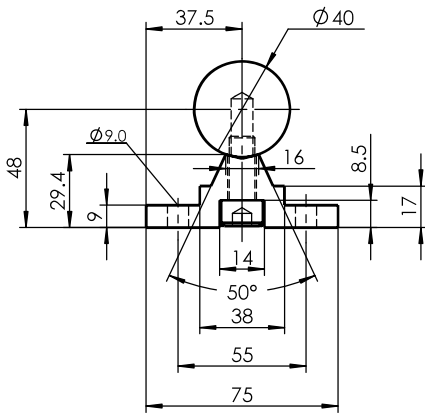


Size Unit: mm



Register
Tracing
Calibrating

Former No.	Designation	Size N	Size P	Standard Length L				Max. Length L	
Drawing No.	SBS40A	30	200	460	660	860	1060	1260	4000
Signature	Marker	Numbers	Reversion	Signature	Date	SBS40A		Drawing No.	
								Material	Heat Treatment
Date	Design		Standardization		Drawing Mark	Weight	Scale		
	Check		Approved						
	Review								
	Technics		Date	2014-6-3	A Total Of 1 Pages		Page No. 1		