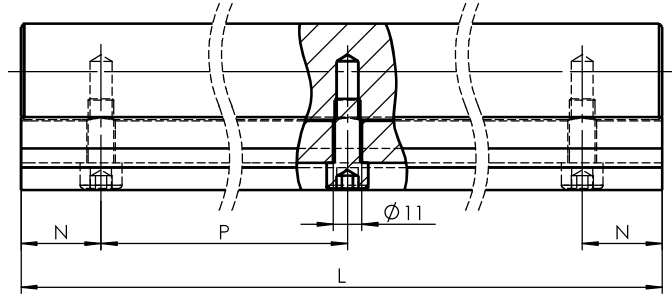
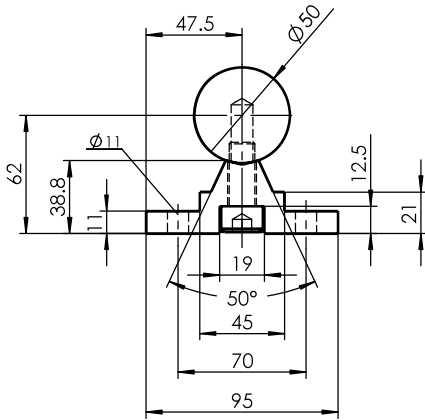


Size Unit: mm



Register
Tracing
Calibrating

Former No.	Designation	Size N	Size P	Standard Length L				Max. Length L		
Drawing No.	SBS50A	35	200	470	670	870	1070	1270	4000	
Signature	Marker	Numbers	Reversion	Signature	Date	SBS50A		Drawing No.		
Date	Design		Standardization			Drawing Mark	Weight	Scale	Material	Heat Treatment
	Check		Approved							
	Review									
	Technics		Date	2014-6-3	A Total Of 1 Pages		Page No. 1			