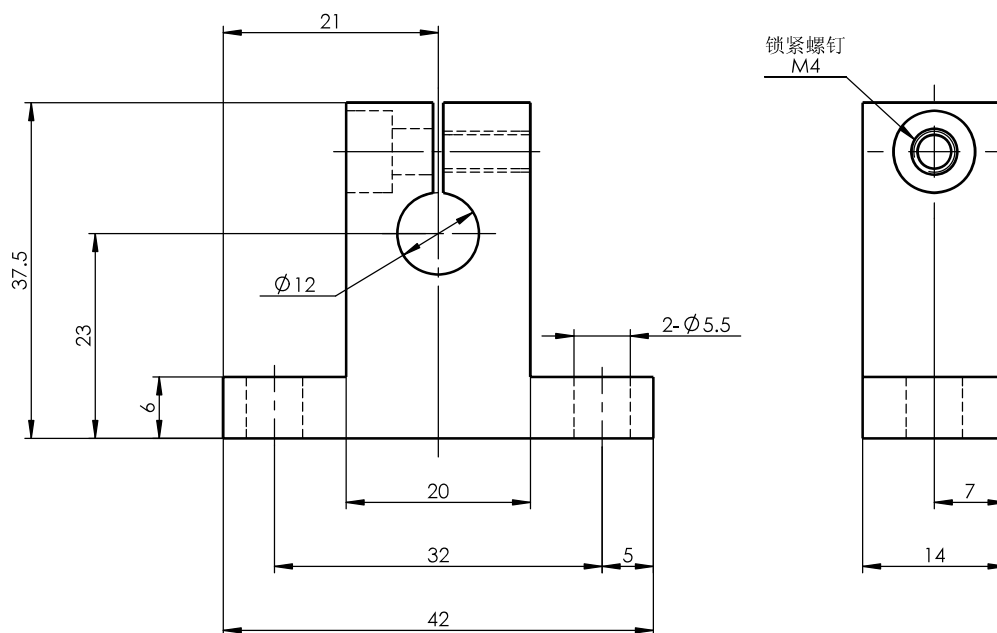


Size Unit: mm



Register  
Tracing  
Calibrating  
Former No.  
Drawing No.

					<b>SH12</b>			Drawing No.		
Signature	Marker	Numbers	Reversion	Signature				Date	Material	Heat Treatment
Date	Design			Standarization			Drawing Mark	Weight	Scale	
	Check			Approved						
	Review									
	Technics			Date	2016-1-5	A Total Of 1 Pages		Page No. 1		