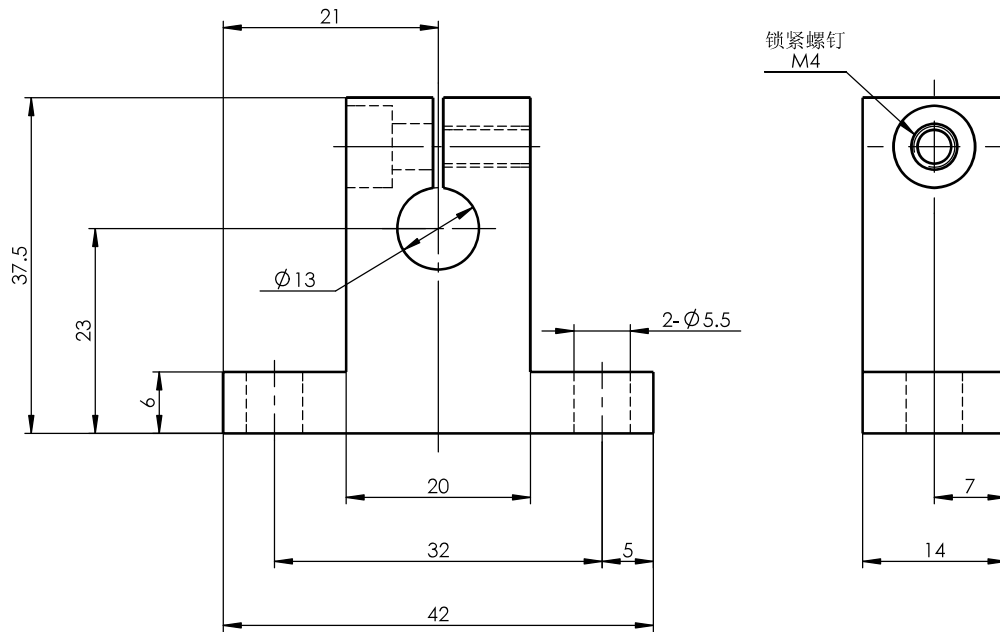


Size Unit: mm



Register
Tracing
Calibrating
Former No.
Drawing No.

| | | | | | | | | | | | |
|-----------|----------|----------------|-----------|-----------|--------------------|--------------|------------|-------|-------------|----------------|--|
| Signature | | | | | | SH13 | | | Drawing No. | | |
| | Marker | Numbers | Reversion | Signature | Date | | | | Material | Heat Treatment | |
| Date | Design | Standarization | | | | Drawing Mark | Weight | Scale | | | |
| | Check | Approved | | | | | | | | | |
| | Review | | | | | | | | | | |
| | Technics | Date | | 2016-1-5 | A Total Of 1 Pages | | Page No. 1 | | | | |