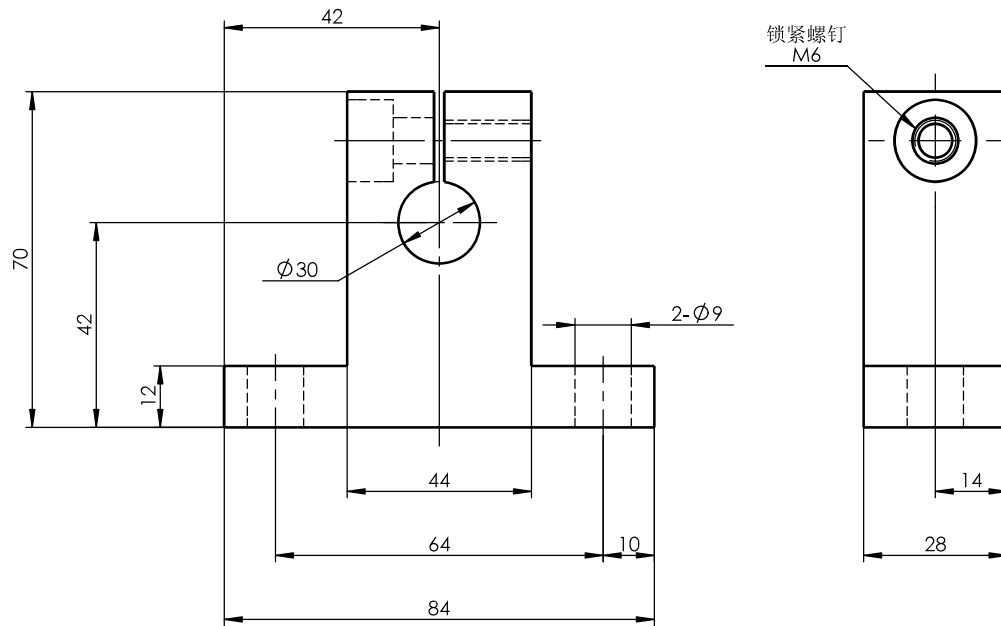


Size Unit: mm



Register
Tracing
Calibrating
Former No.
Drawing No.
Signature
Date
Technics

						SH30			Drawing No.		
Marker	Numbers	Reversion	Signature	Date	Material				Heat Treatment		
Design		Standarization		Drawing Mark		Weight	Scale				
Check		Approved									
Review											
Technics		Date		2016-1-5		A Total Of 1 Pages		Page No. 1			