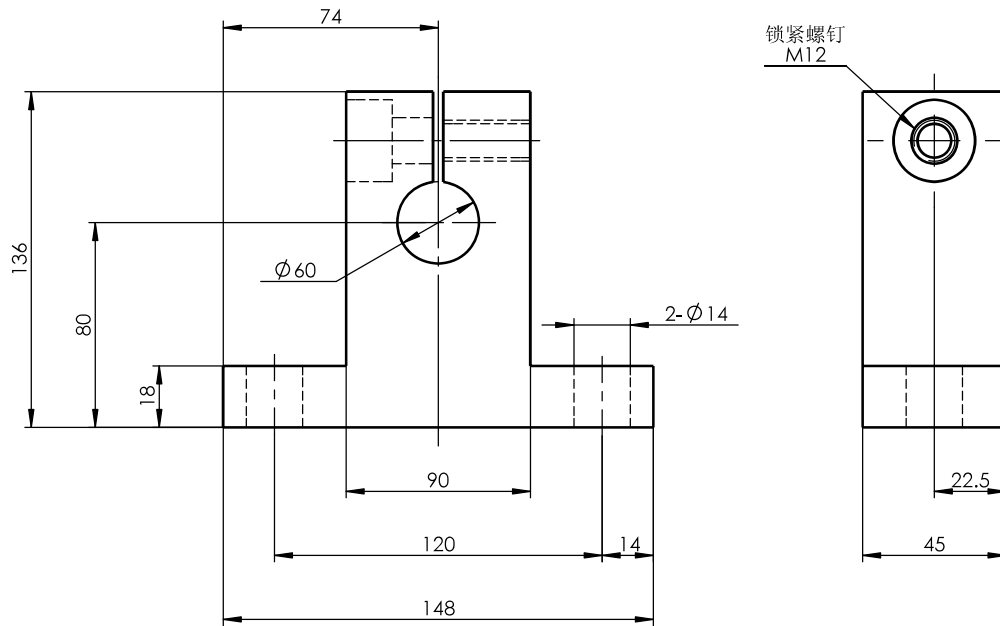


Size Unit: mm



Register  
Tracing  
Calibrating  
Former No.  
Drawing No.

Signature	Marker	Numbers	Reversion	Signature	Date	SH60			Drawing No.	
	Design		Standarization						Drawing Mark	Weight
Date	Check		Approved							
	Review									
	Technics		Date	2016-1-5	A Total Of 1 Pages		Page No. 1			