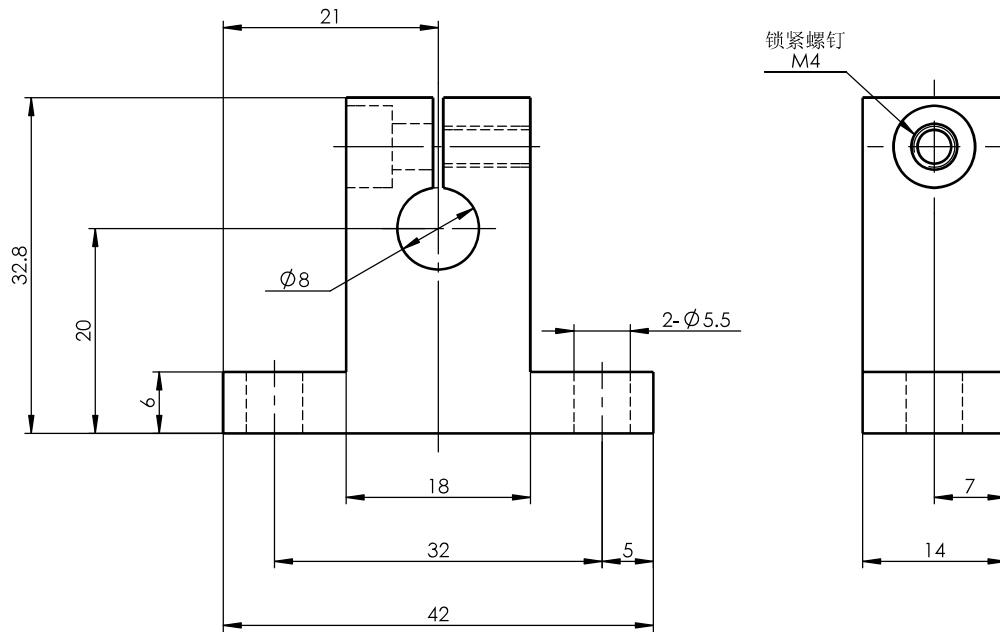


Size Unit: mm



Register

Tracing

Calibrating

Former No.

Drawing No.

SH8

Drawing No.

Signature

Marker	Numbers	Reversion	Signature	Date
--------	---------	-----------	-----------	------

Material	Heat Treatment
----------	----------------

Date

Design	Standarization	Drawing Mark	Weight	Scale
Check	Approved			
Review				
Technics	Date	2016-1-5	A Total Of 1 Pages	Page No. 1