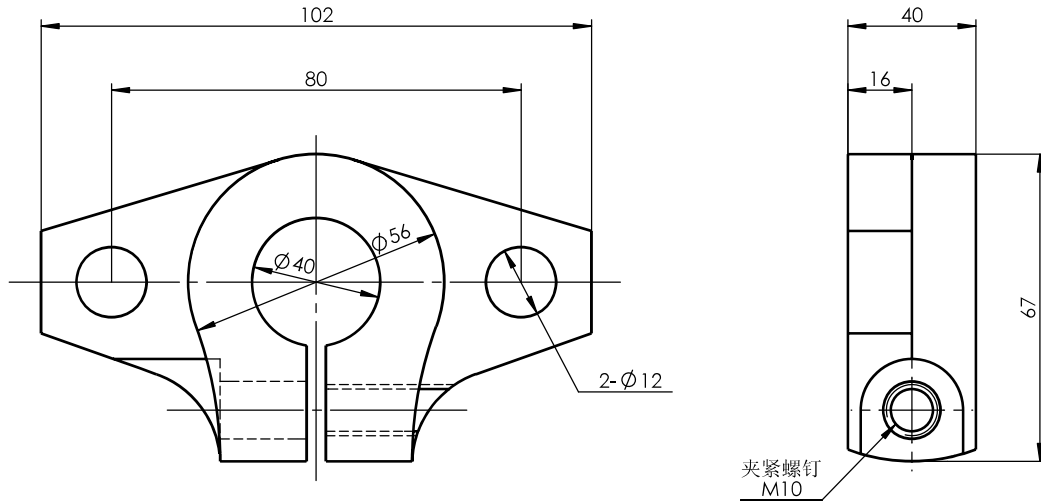


Size Unit: mm



Register
Tracing
Calibrating
Former No.
Drawing No.

					SHF40			Drawing No.		
Signature	Marker	Numbers	Reversion	Signature				Date	Material	Heat Treatment
Date	Design			Standarization			Drawing Mark	Weight	Scale	
	Check			Approved						
	Review									
	Technics			Date	2016-1-5	A Total Of 1 Pages		Page No. 1		