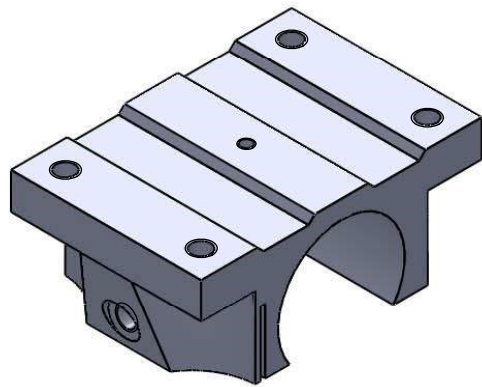
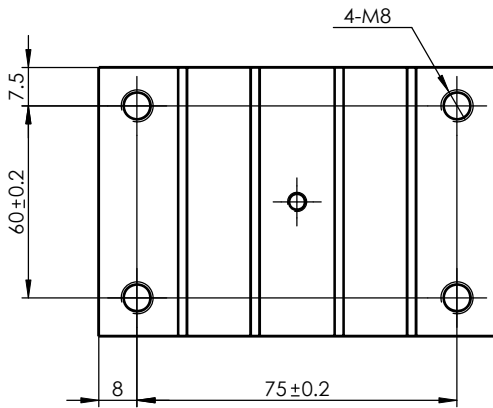
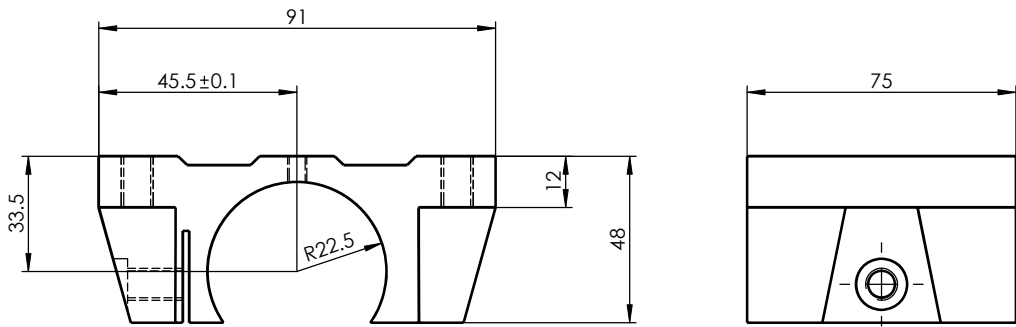


Size Unit: mm



Register  
Tracing  
Calibrating  
Former No.  
Drawing No.

						TBR30UU			Drawing No.		
Signature	Marker	Numbers	Reversion	Signature	Date				Material	Heat Treatment	
Date	Design		Standarization		Drawing Mark		Weight	Scale			
	Check		Approved								
	Review										
Technics			Date	2014-2-20		A Total Of 1 Pages		Page No. 1			