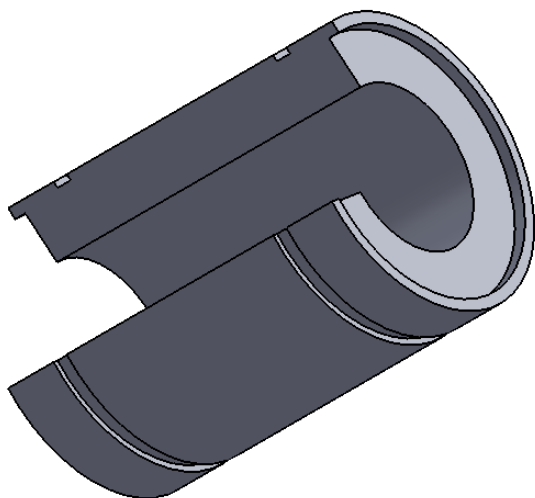
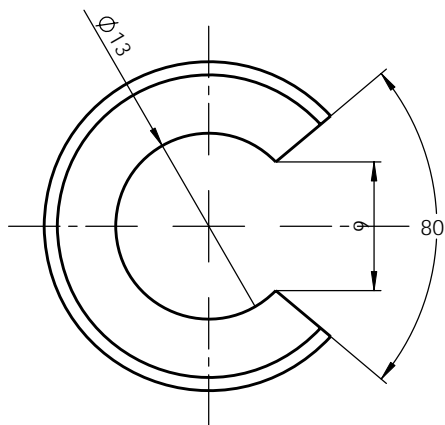
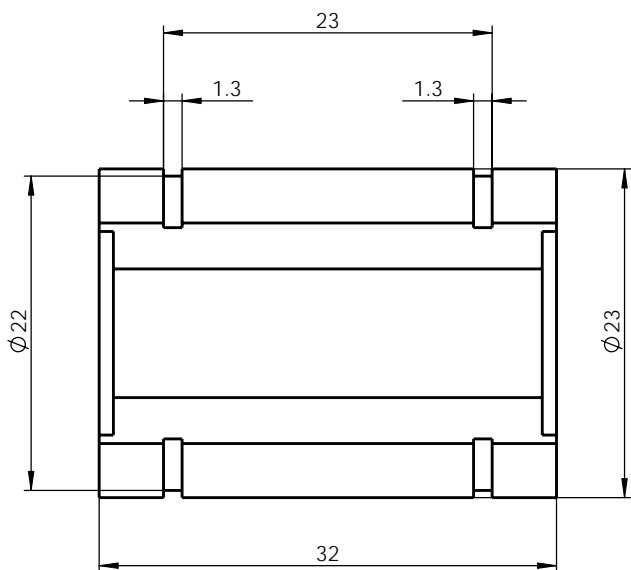


Size Unit: mm



Register

Tracing

Calibrating

Former No.

Drawing No.

LM13UU-OP

Drawing No.

Signature

Marker Numbers Reversion Signature Date

Material

Heat Treatment

Design Standarization Drawing Mark Weight Scale

Date

Check Approved

Review

Technics Date 2013-10-14 A Total Of 1 Pages Page No. 1