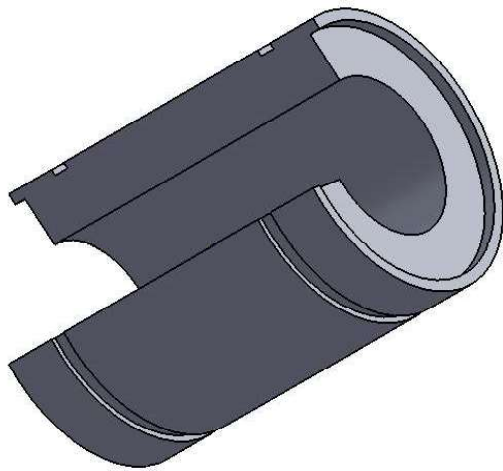
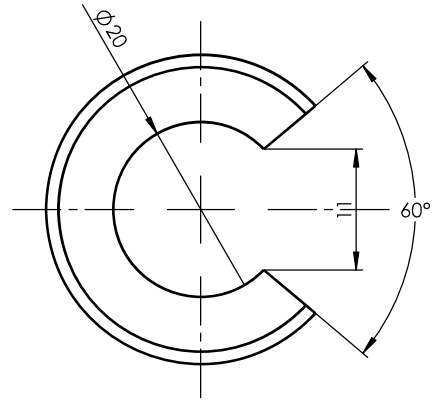
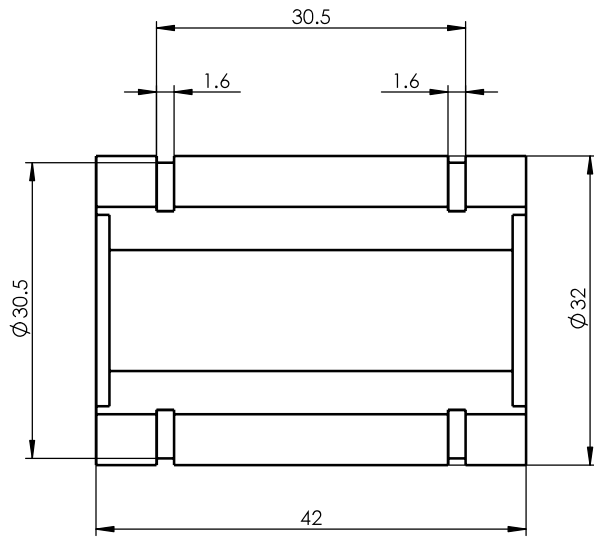


Size Unit: mm



Register
Tracing
Calibrating
Former No.
Drawing No.

						LM20UU-OP			Drawing No.	
Signature									Material	
Design		Standarization		Drawing Mark		Weight		Scale		
Date		Approved								
Technics		Date		2013-10-14		A Total Of 1 Pages		Page No. 1		