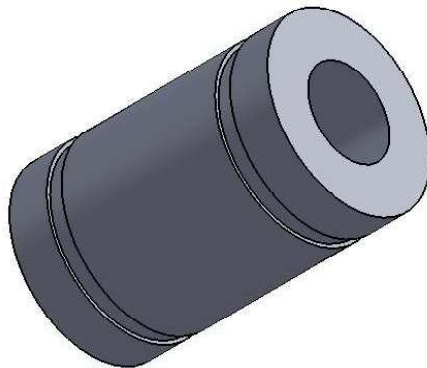
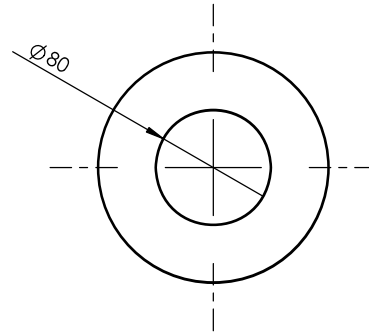
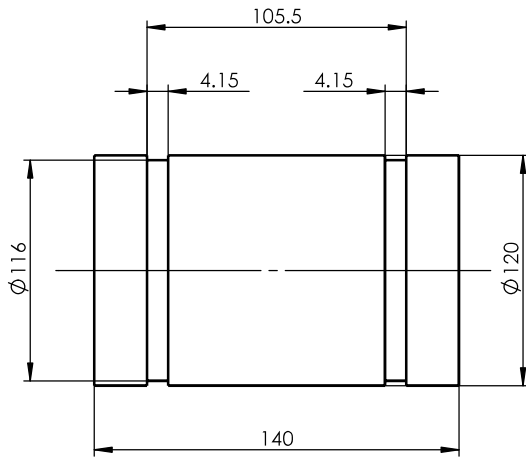


Size Unit: mm



Register
Tracing
Calibrating
Former No.
Drawing No.

						LM80UU			Drawing No.	
Signature	Marker	Numbers	Reversion	Signature	Date				Material	Heat Treatment
	Design		Standarization			Drawing Mark	Weight	Scale		
Date	Check		Approved							
	Review									
	Technics		Date	2013-10-14	A Total Of 1 Pages		Page No. 1			