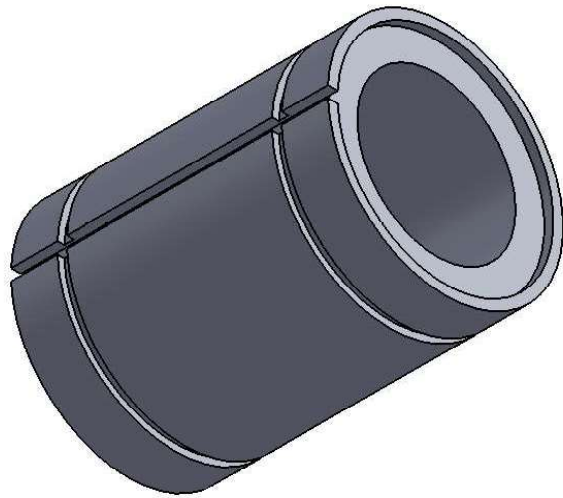
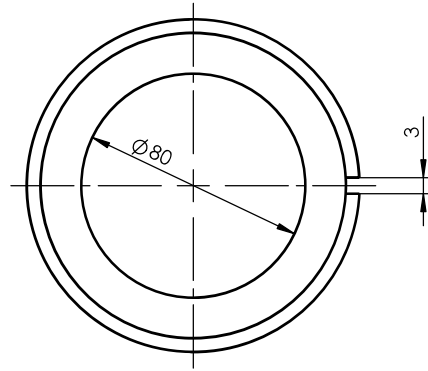
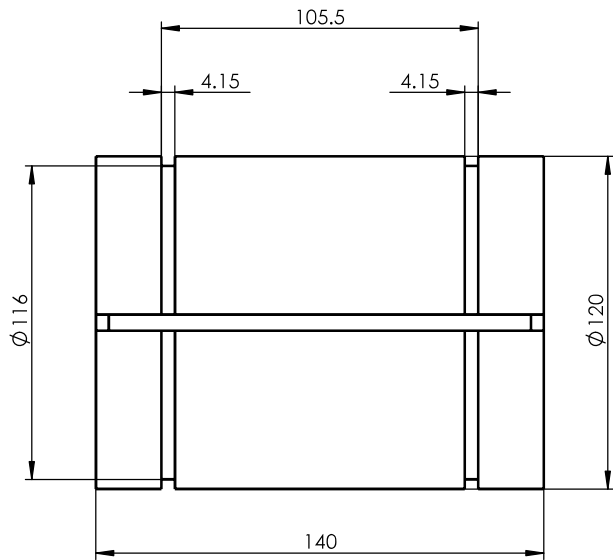


Size Unit: mm



Register
Tracing
Calibrating
Former No.
Drawing No.

						LM80UU-AJ			Drawing No.	
									Material	
Signature	Marker	Numbers	Reversion	Signature	Date	Drawing Mark		Weight	Scale	
Date	Check	Approved								
	Review									
	Technics	Date		2013-10-22	A Total Of 1 Pages		Page No. 1			