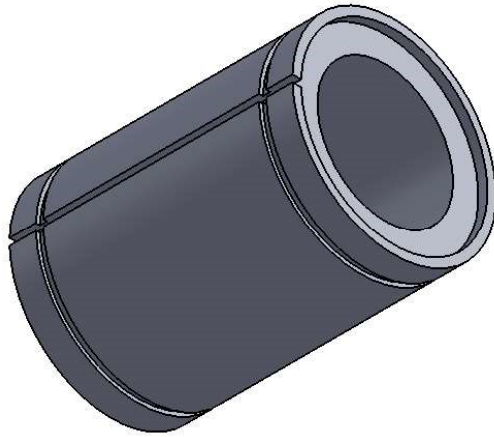
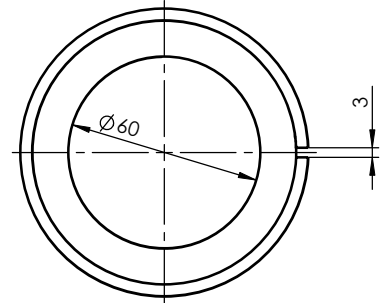
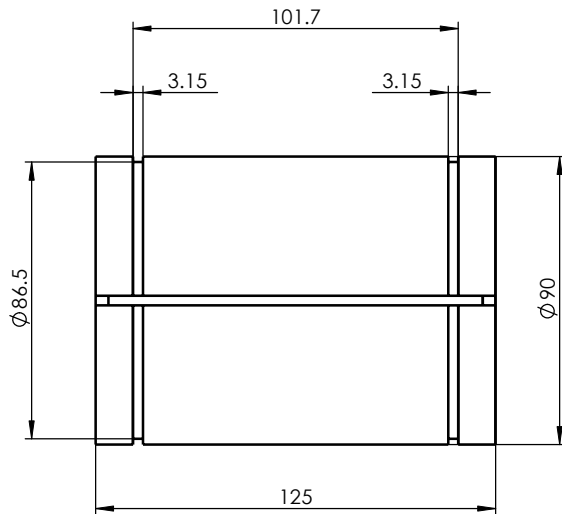


Size Unit: mm



Register  
Tracing  
Calibrating  
Former No.  
Drawing No.

						LME60UU-AJ			Drawing No.	
Signature									Material	
	Marker	Numbers	Reversion	Signature	Date	Drawing Mark	Weight	Scale		
Date	Check	Approved								
	Review									
	Technics	Date		2013-10-14		A Total Of 1 Pages		Page No. 1		