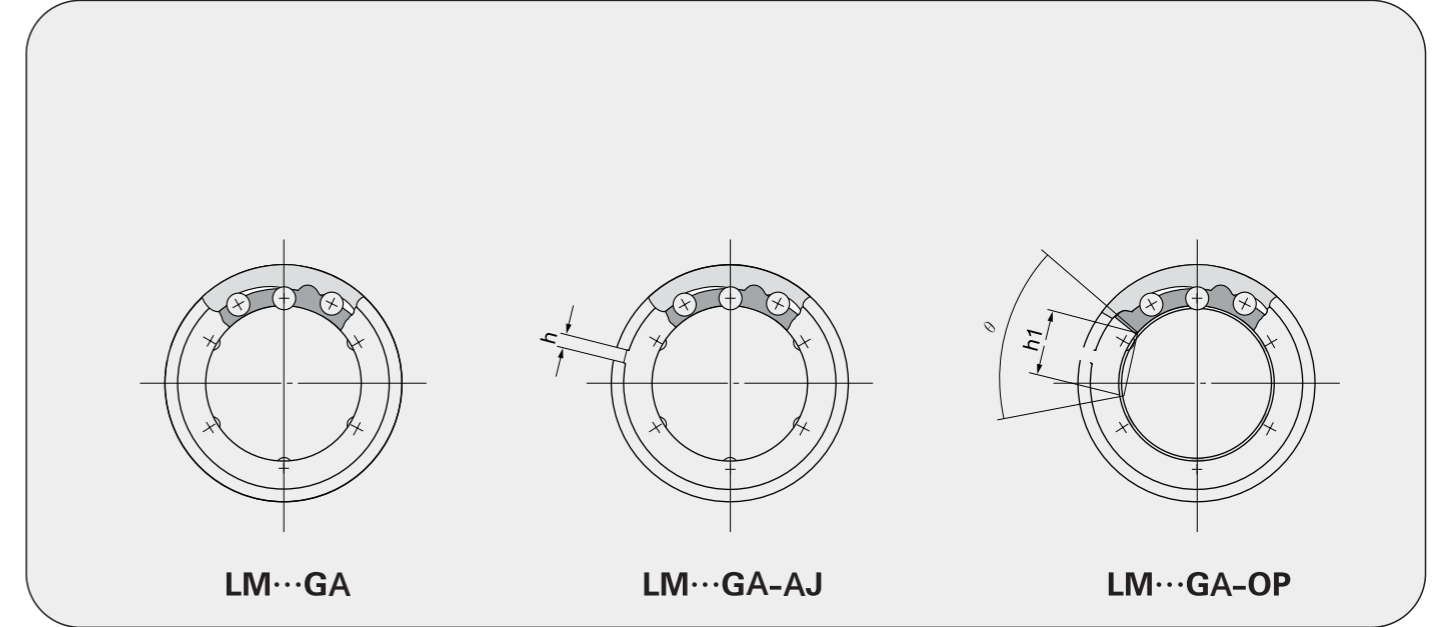
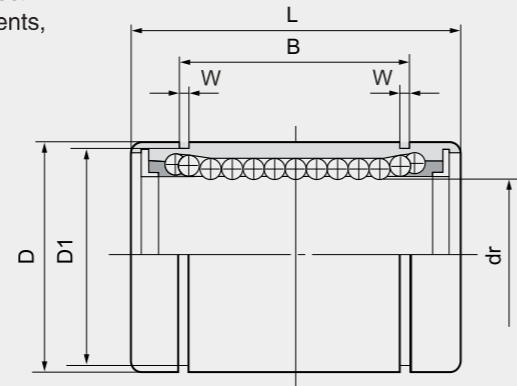


LM...GA 锌合金保持架
 该类型尺寸是公制的，广泛应用于亚洲和其它国家。
 所有型号均可根据客户要求做镀镍处理，有防锈作用。

LM...GA (Zinc alloy retainer)
 This type is a metric dimension series widely used in Asia and other countries.
 All models can be done with nickel plated according to customers' requirements,
 with function of rust-proof.



LM...GA LM...GA-AJ LM...GA-OP



LM...GA LM...GA-AJ LM...GA-OP

公称轴径 Nominal shaft diameter mm	尼龙保持架 Resin retainer									dr		
	标准型 LM...GA	钢球列数 Ball circuit	重量 Weight (g)	间隙调整型 LM...GA-AJ	钢球列数 Ball circuit	重量 Weight (g)	开口型 LM...GA-OP	钢球列数 Ball circuit	重量 Weight (g)	mm	公差 Tolerance μm	
											精密 Precision	普通 High
6	LM6GA	4	8.9	LM6GA-AJ	4	8.8	—	—	—	6		
8	LM8GA	4	17.3	LM8GA-AJ	4	17	—	—	—	8		
10	LM10GA	4	32	LM10GA-AJ	4	31.5	LM10GA-OP	3	24	10	0	0
12	LM12GA	4	36.7	LM12GA-AJ	4	36.2	LM12GA-OP	3	27.5	12	-6	-9
13	LM13GA	4	50	LM13GA-AJ	4	49	LM13GA-OP	3	37.5	13		
16	LM16GA	5	86	LM16GA-AJ	5	85	LM16GA-OP	4	68.8	16		
20	LM20GA	5	112	LM20GA-AJ	5	110	LM20GA-OP	4	89.6	20		
25	LM25GA	6	282	LM25GA-AJ	6	278	LM25GA-OP	5	235	25	0	0
30	LM30GA	6	326	LM30GA-AJ	6	321	LM30GA-OP	5	271.7	30	-7	-10
35	LM35GA	6	489	LM35GA-AJ	6	483	LM35GA-OP	5	407.5	35	0	0
40	LM40GA	6	730	LM40GA-AJ	6	724	LM40GA-OP	5	608.3	40	-8	-12

LM20 M GA M 镀镍 M Nickel plated

注：小尺寸（3和4mm内径）无密封。
 Note: Smaller sizes (3 and 4mm I.D.) are non-seal type only.

主要尺寸和公差 Major dimensions and tolerance										偏心 Eccentricity μm		最大 径向间隙 Radial clearance (Max) μm	额定负荷 Basic load rating	
D	L	B	W	D ₁	h	h ₁	\ominus	精密 Precision	普通 High	动负荷 Dynamic C N	静负荷 Static Co N			
12	19	13.5	1.1	11.5	1	—	—	8	12	-3	206	265		
15	24	17.5	1.1	14.3	1	—	—				274	392		
19	29	22	1.3	18	1	6.8	80°	10	15	-4	372	549		
21	30	23	1.3	20	1.5	8	80°				510	784		
23	32	23	1.3	22	1.5	9	80°	12	20	-6	510	784		
28	37	26.5	1.6	27	1.5	11	80°				774	1,180		
32	42	30.5	1.6	30.5	1.5	11	60°	10	15	-8	882	1,370		
40	59	41	1.85	38	2	12	50°				980	1,570		
45	64	44.5	1.85	43	2.5	15	50°	12	20	-8	1,570	2,740		
52	70	49.5	2.1	49	2.5	17	50°				1,670	3,140		
60	80	60.5	2.1	57	3	20	50°			-10	2,160	4,020		

国际单位：1N≈0.102kgf
 SIUNIT: 1N≈0.102kgf