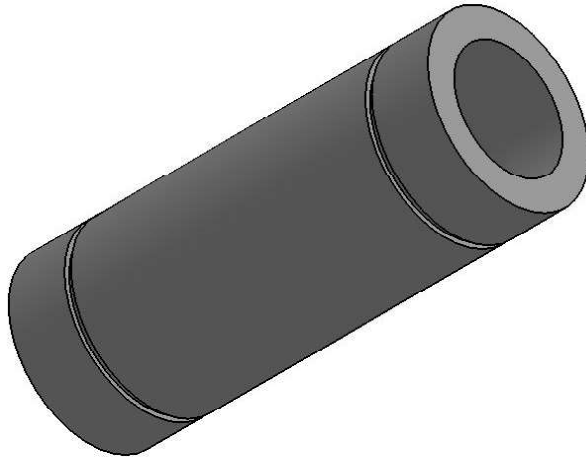
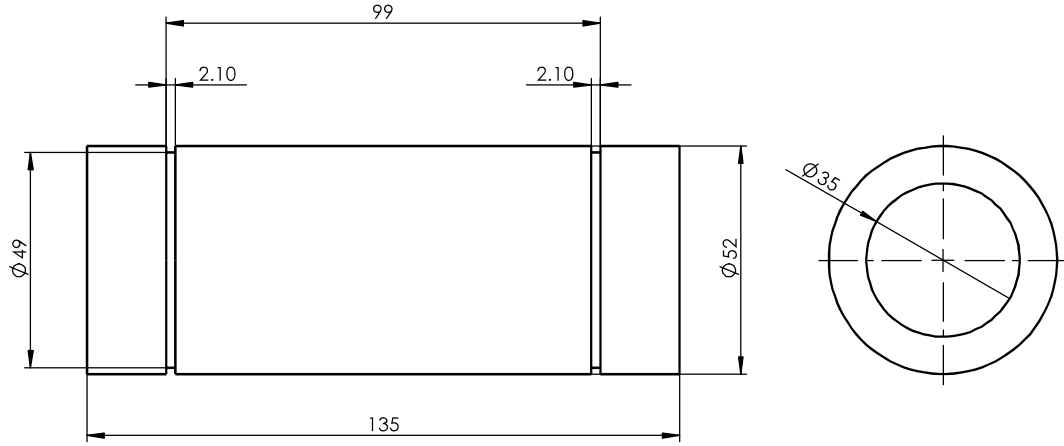


Size Unit: mm



Register
Tracing
Calibrating
Former No.
Drawing No.

						LM35LGA			Drawing No.	
									Material	
Signature		Marker	Numbers	Reversion	Signature	Date	Drawing Mark		Weight	Scale
Date		Check		Approved						
		Review								
		Technics		Date		A Total Of 1 Pages		Page No. 1		