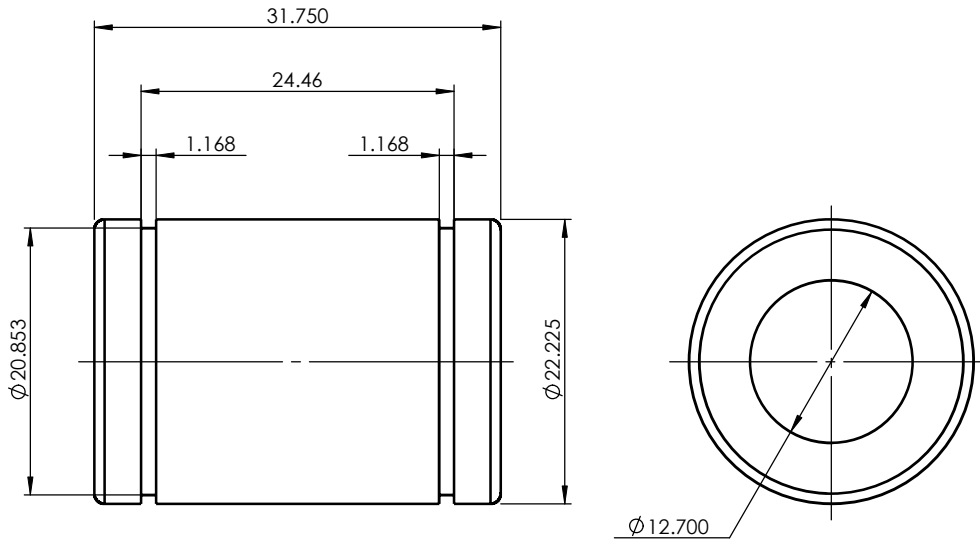


Size Unit: mm



Register  
Tracing  
Calibrating  
Former No.  
Drawing No.

Signature						LMB8UU	Drawing No.		
	Marker	Numbers	Reversion	Signature	Date		Material	Heat Treatment	
Date	Design	Standarization				Drawing Mark	Weight	Scale	
	Check	Approved							
	Review								
	Technics	Date		2016-1-5	A Total Of 1 Pages		Page No. 1		