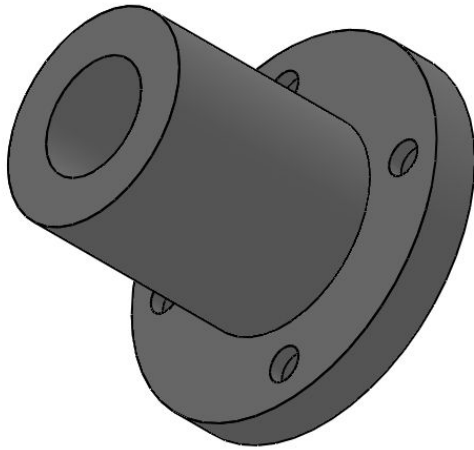
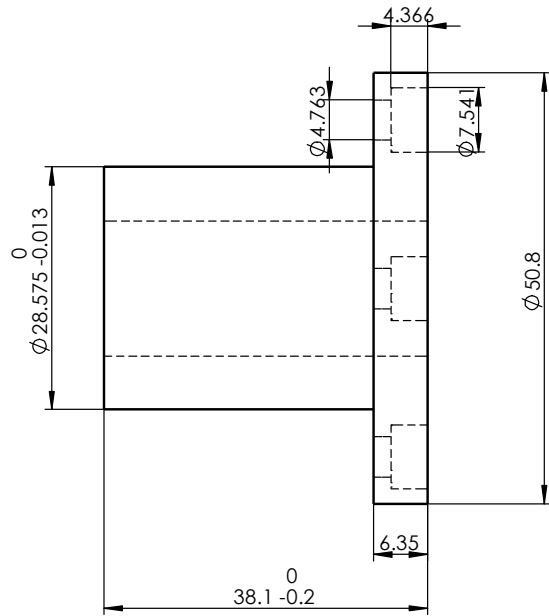
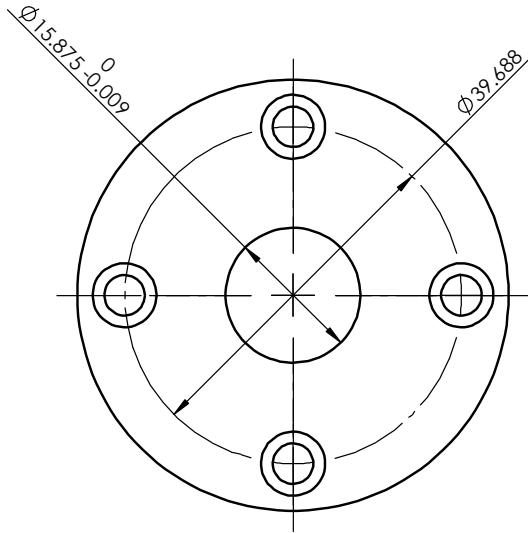


Size Unit: mm



Register
Tracing
Calibrating
Former No.
Drawing No.

						LMBF10UU			Drawing No.	MYT-LMBF10UU-1	
Signature	Marker	Numbers	Reversion	Signature	Date				Material	Heat Treatment	
Date	Design		Standarization		Drawing Mark	Weight	Scale				
	Check		Approved								
	Review										
	Technics		Date		A Total Of 1 Pages		Page No. 1				