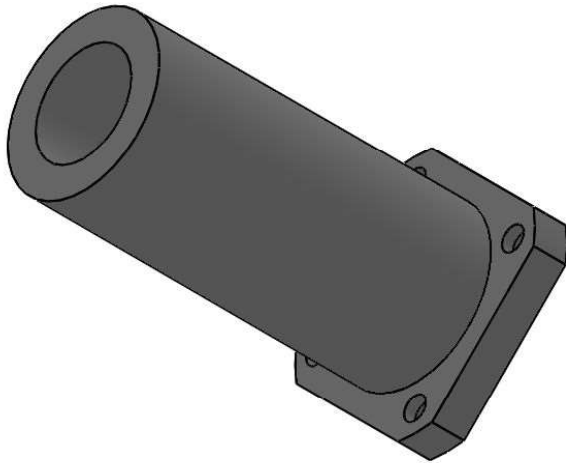
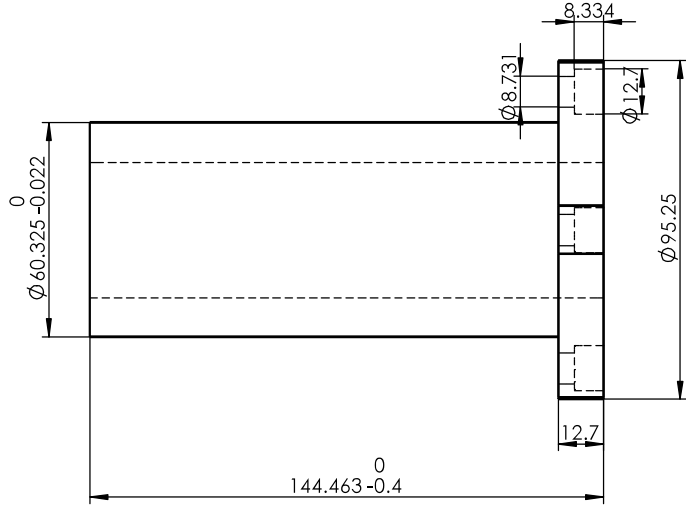
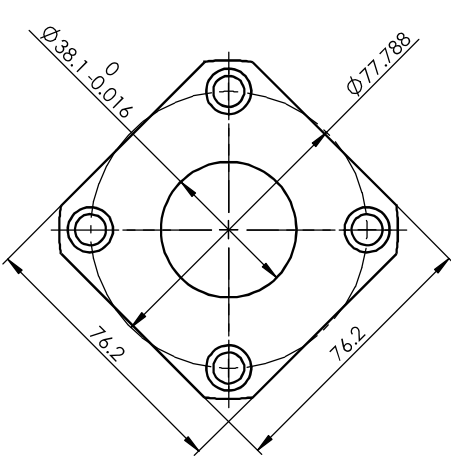


Size Unit: mm



Register

Tracing

Calibrating

Former No.

Drawing No.

Signature

Date

						LMBK24LUU			Drawing No.	
Marker	Numbers	Reversion	Signature	Date	Material				Heat Treatment	
Design	Standarization					Drawing Mark	Weight	Scale		
Check	Approved									
Review										
Technics	Date					A Total Of 1 Pages		Page No. 1		