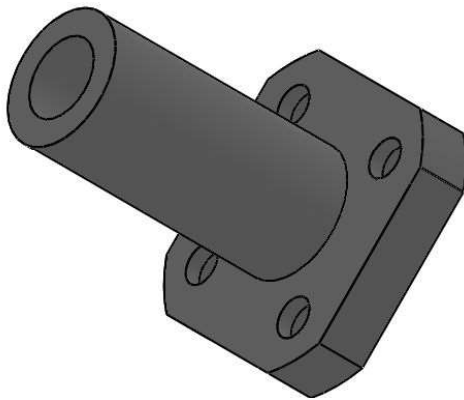
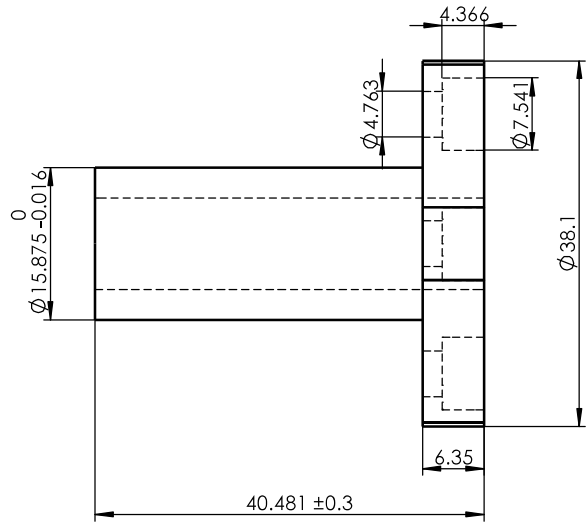
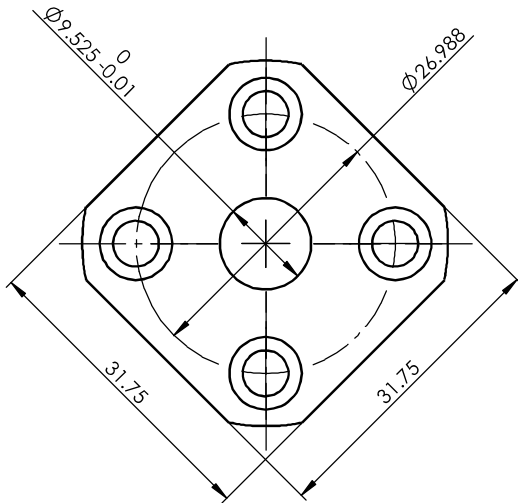


Size Unit: mm



Register
Tracing
Calibrating
Former No.
Drawing No.

						LMBK6LUU			Drawing No.	
Signature									Material	Heat Treatment
Date	Marker	Numbers	Reversion	Signature	Date	Drawing Mark	Weight	Scale		
	Design	Standarization		Approved						
	Check									
	Review									
	Technics	Date		A Total Of 1 Pages			Page No. 1			