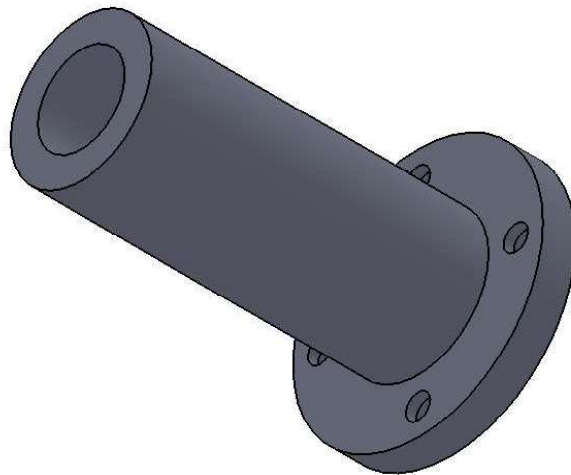
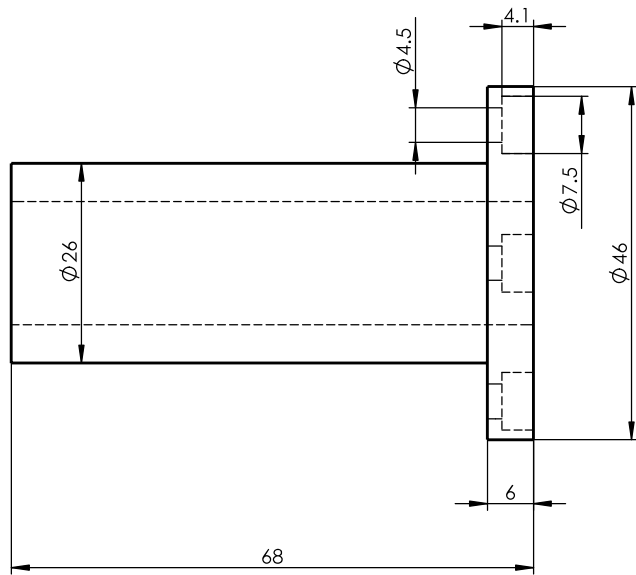
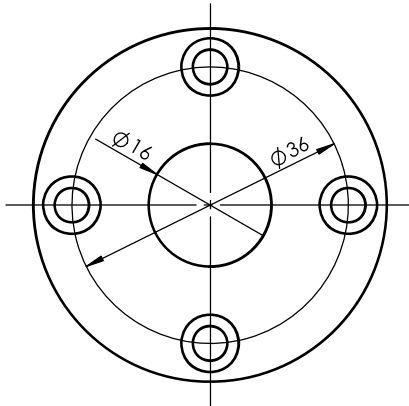


Size Unit: mm



Register
Tracing
Calibrating
Former No.
Drawing No.

						LMEF16LUU			Drawing No.		
Signature									Material		Heat Treatment
Marker		Numbers		Reversion		Signature		Date		Design	
Check		Approved				Drawing Mark		Weight		Scale	
Review											
Technics		Date		2013-11-20		A Total Of 1 Pages			Page No. 1		