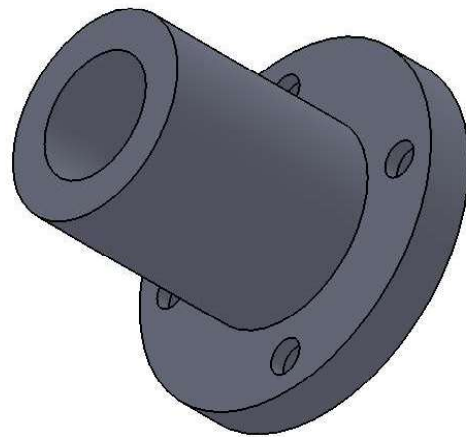
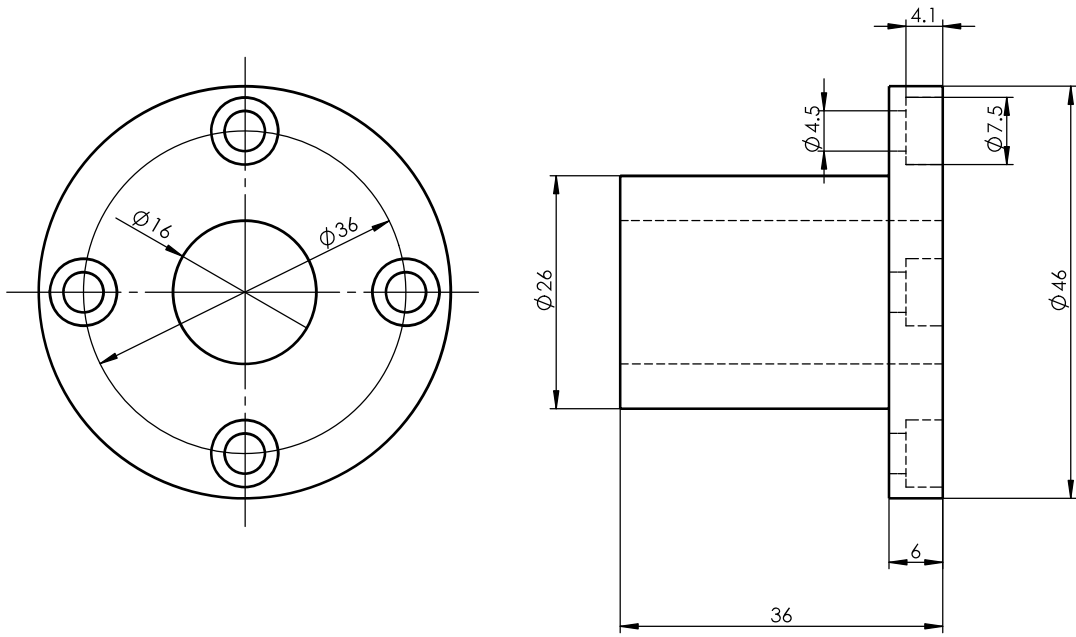


Size Unit: mm



Register  
Tracing  
Calibrating  
Former No.  
Drawing No.

|           |  |                |  |              |  |                    |  |            |             |  |
|-----------|--|----------------|--|--------------|--|--------------------|--|------------|-------------|--|
|           |  |                |  |              |  | LMEF16UU           |  |            | Drawing No. |  |
| Signature |  |                |  |              |  |                    |  |            | Material    |  |
| Design    |  | Standarization |  | Drawing Mark |  | Weight             |  | Scale      |             |  |
| Date      |  | Approved       |  |              |  |                    |  |            |             |  |
| Technics  |  | Date           |  | 2013-11-20   |  | A Total Of 1 Pages |  | Page No. 1 |             |  |