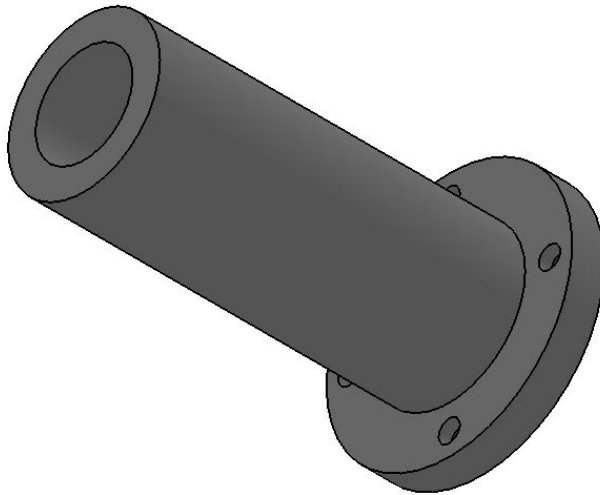
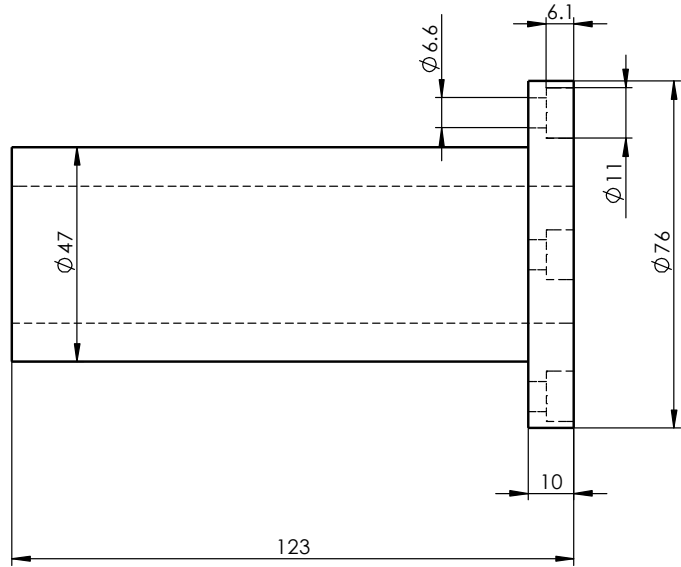
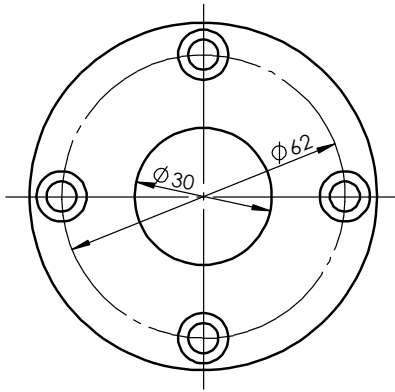


Size Unit: mm



Register
Tracing
Calibrating
Former No.
Drawing No.

						LMEF30LGA			Drawing No.		
Signature										Material	Heat Treatment
Marker	Numbers	Reversion	Signature	Date		Design	Standarization	Drawing Mark	Weight	Scale	
Date	Check	Approved									
	Review										
Technics		Date			A Total Of 1 Pages		Page No. 1				