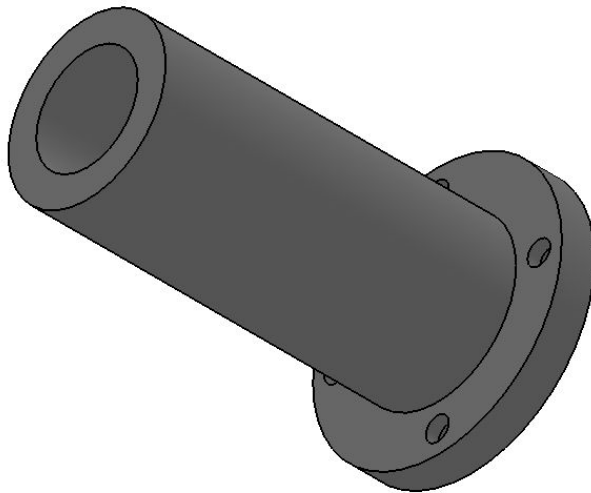
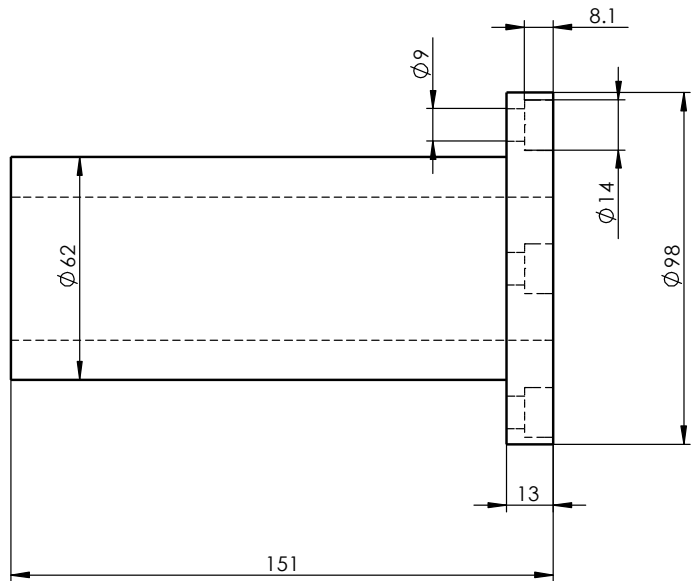
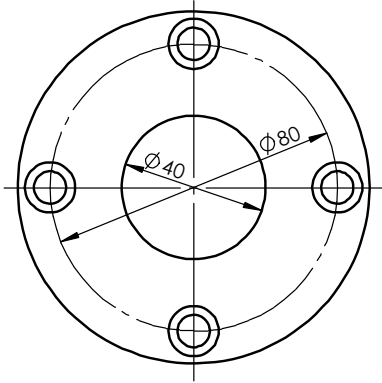


Size Unit: mm



Register
Tracing
Calibrating
Former No.
Drawing No.

						LMEF40LGA			Drawing No.		
Signature	Marker	Numbers	Reversion	Signature	Date	Drawing Mark	Weight	Scale	Material	Heat Treatment	
	Design	Standarization	Approved	Review	Technics	Date	A Total Of 1 Pages	Page No. 1			