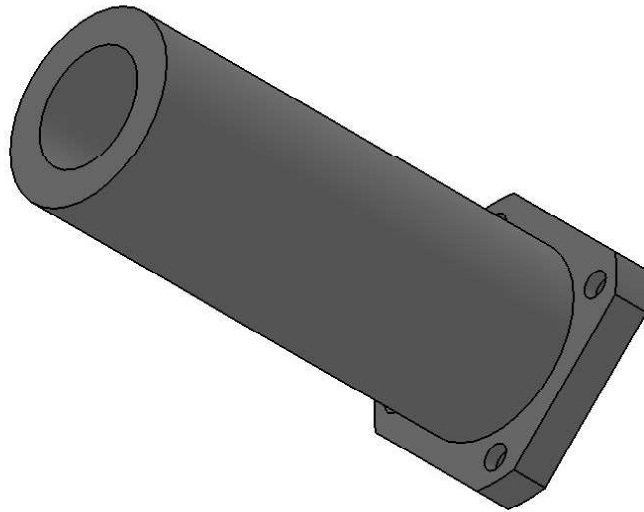
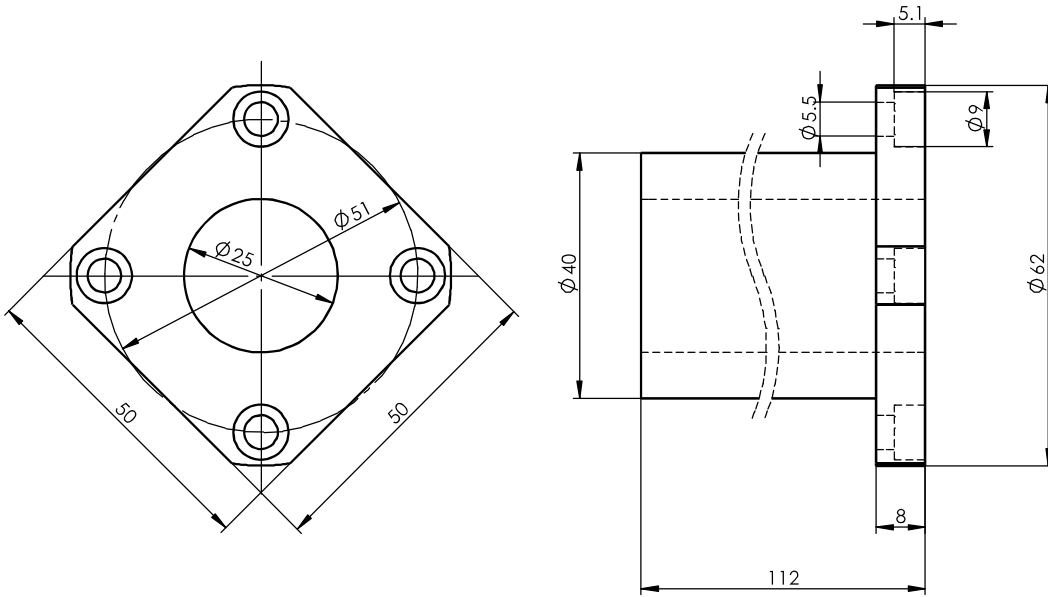


Size Unit: mm



Register  
Tracing  
Calibrating  
Former No.  
Drawing No.

						LMEK25LGA			Drawing No.	
Signature									Material	
Marker	Numbers	Reversion	Signature	Date		Drawing Mark		Weight	Scale	
Design		Standarization								
Check		Approved								
Review										
Technics		Date				A Total Of 1 Pages		Page No. 1		