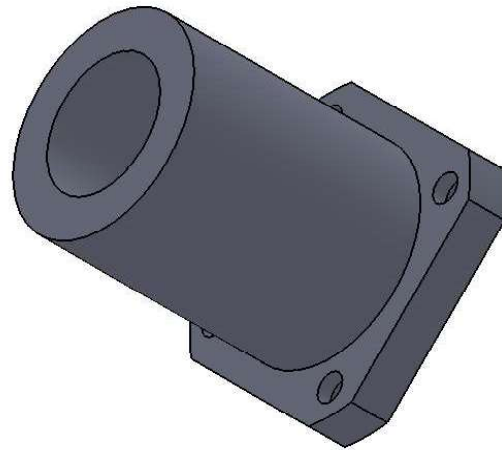
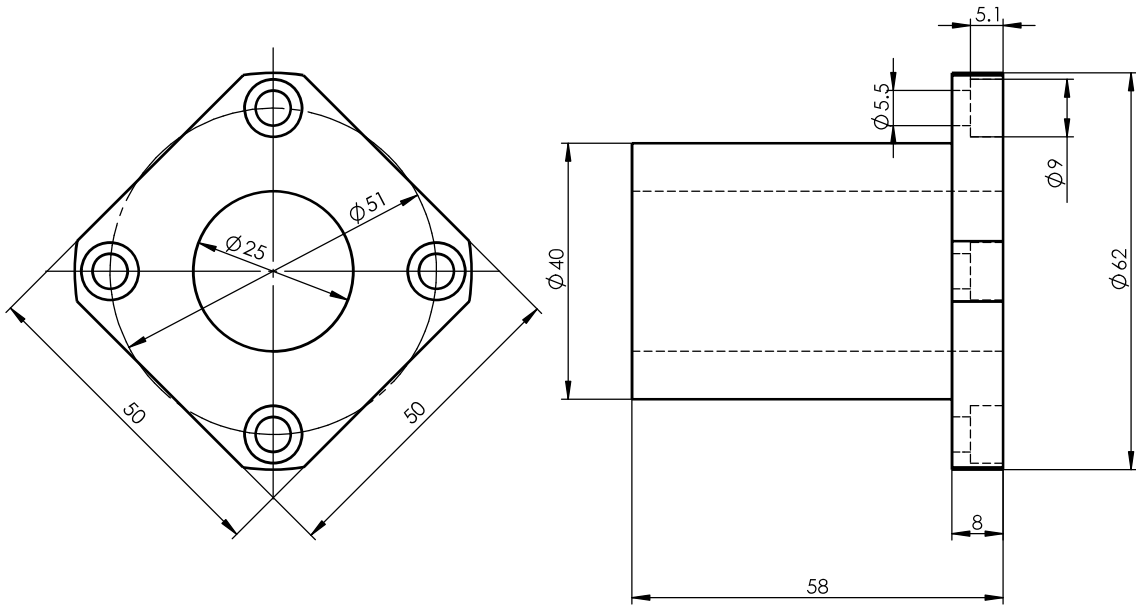


Size Unit: mm



Register  
Tracing  
Calibrating  
Former No.  
Drawing No.

						LMEK25UU			Drawing No.	
Signature									Material	
Marker		Numbers		Reversion		Signature		Date		
Design		Standarization		Drawing Mark		Weight		Scale		
Date		Check		Approved						
		Review								
Technics		Date		2013-11-20		A Total Of 1 Pages		Page No. 1		