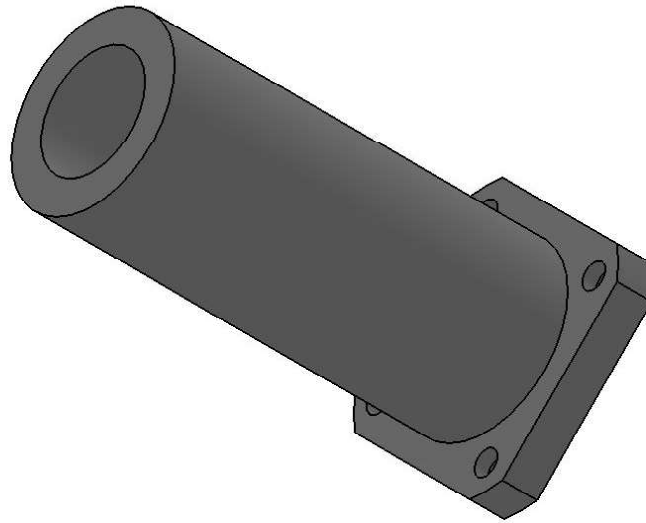
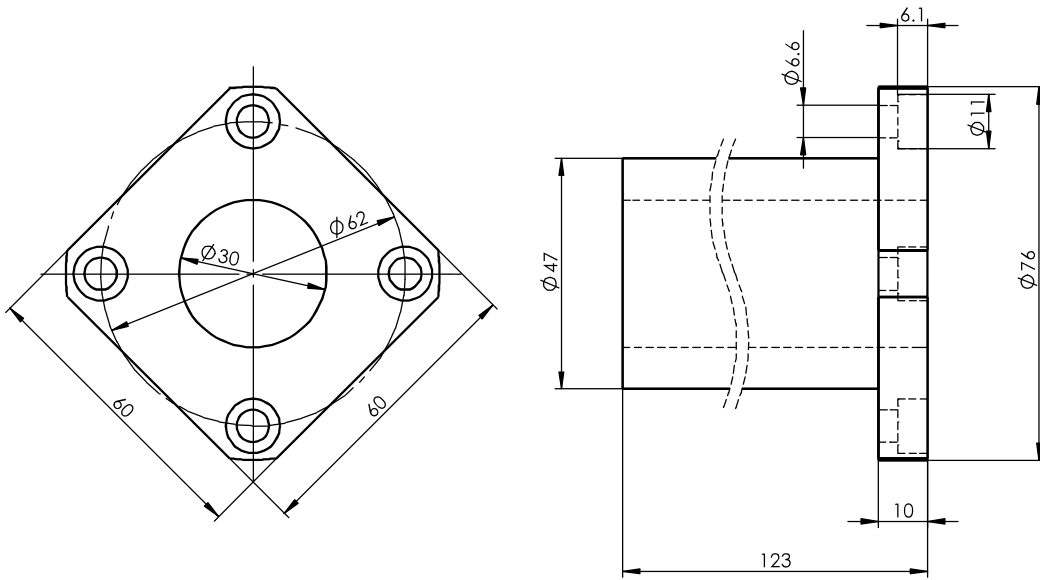


Size Unit: mm



Register

Tracing

Calibrating

Former No.

Drawing No.

						LMEK30LGA			Drawing No.	
									Material	
Signature	Marker	Numbers	Reversion	Signature	Date	Drawing Mark		Weight	Scale	
Date	Design		Standarization		Check		Approved			
	Review									
	Technics		Date				A Total Of 1 Pages		Page No. 1	