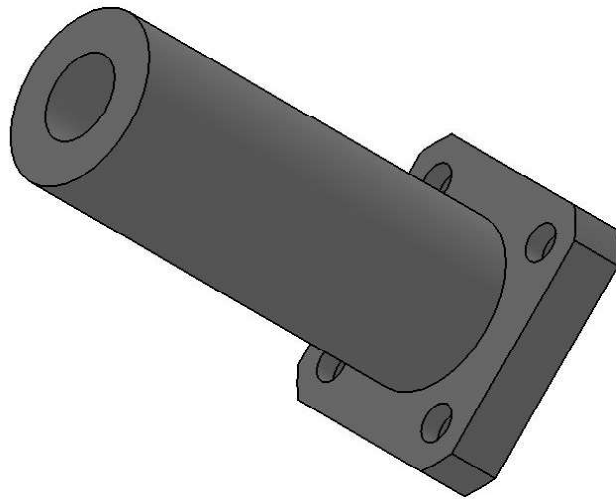
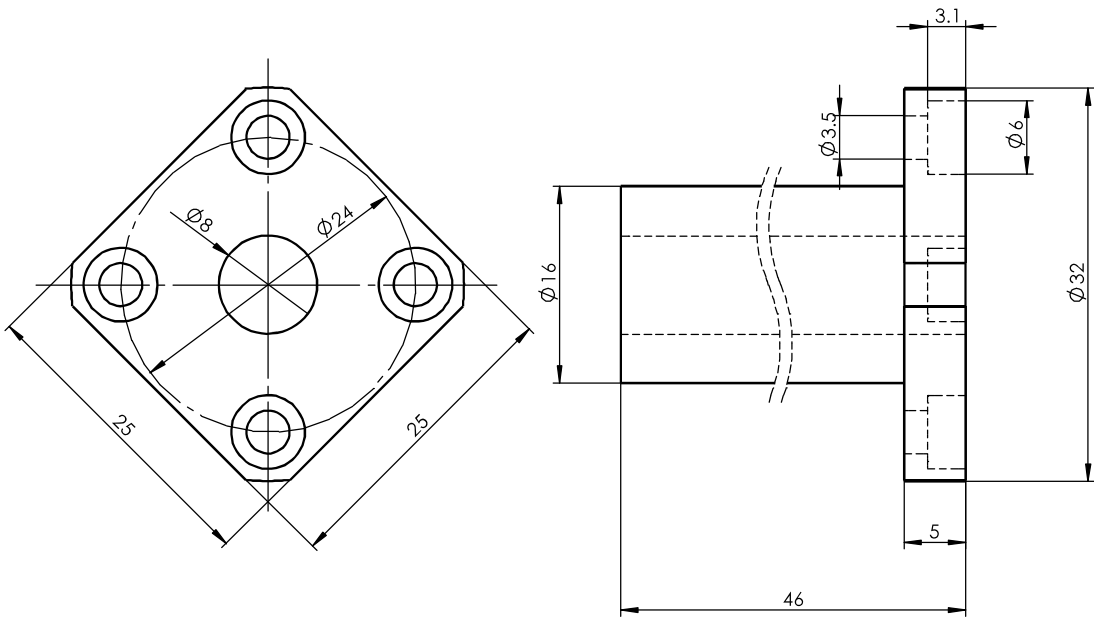


Size Unit: mm



| |
|-------------|
| Register |
| Tracing |
| Calibrating |
| Former No. |
| Drawing No. |
| Signature |
| Date |
| Technics |

| | | | | | | | | | | |
|----------|---------|----------------|-----------|------|--------------------|----------|------------|--|----------------|--|
| | | | | | | LMEK8LGA | | | Drawing No. | |
| Marker | Numbers | Reversion | Signature | Date | Material | | | | Heat Treatment | |
| Design | | Standarization | | | Drawing Mark | Weight | Scale | | | |
| Check | | Approved | | | | | | | | |
| Review | | | | | | | | | | |
| Technics | | Date | | | A Total Of 1 Pages | | Page No. 1 | | | |