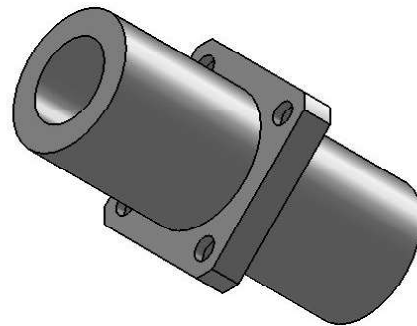
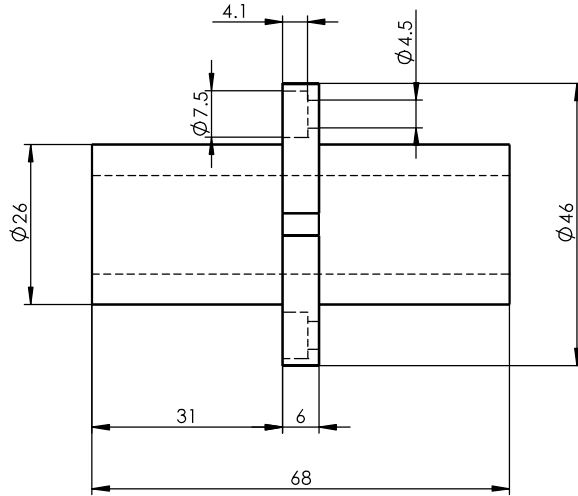
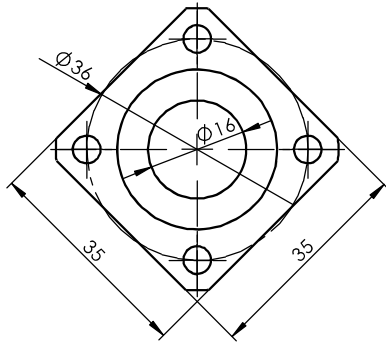


Size Unit: mm



Register
Tracing
Calibrating
Former No.
Drawing No.

| | | | | | | | | | | |
|-----------|----------|-----------|-----------|------|--------------------|--------------|------------|-------|-------------|--|
| | | | | | | LMEKM16LGA | | | Drawing No. | |
| Signature | | | | | | | | | Material | |
| Marker | Numbers | Reversion | Signature | Date | | Drawing Mark | Weight | Scale | | |
| Date | | Check | Approved | | | | | | | |
| | Review | | | | | | | | | |
| | Technics | | Date | | A Total Of 1 Pages | | Page No. 1 | | | |