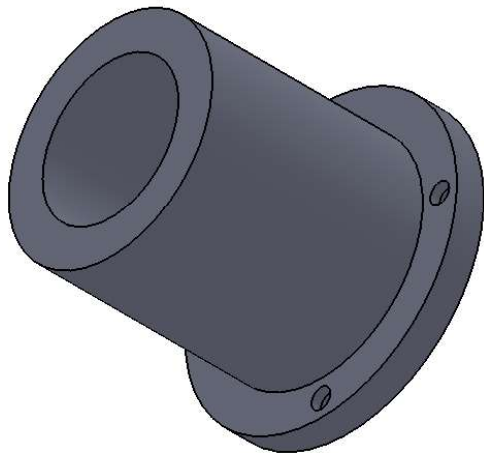
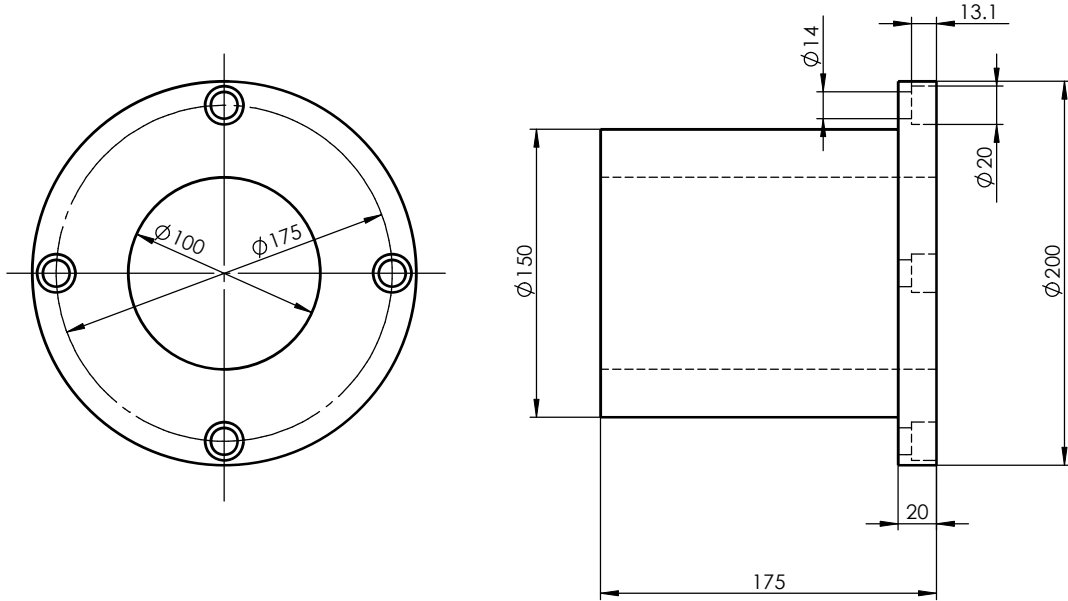


Size Unit: mm



Register
Tracing
Calibrating
Former No.
Drawing No.

						LMF100UU			Drawing No.	
Signature		Marker	Numbers	Reversion	Signature				Date	Material
Date		Design		Standarization		Drawing Mark		Weight	Scale	
		Check		Approved						
		Review								
Technics		Date		2013-11-20		A Total Of 1 Pages		Page No. 1		