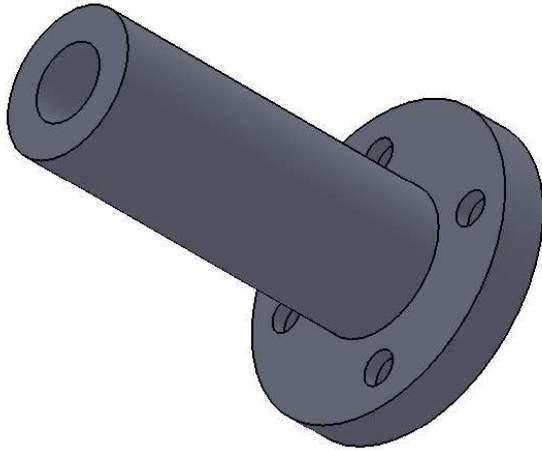
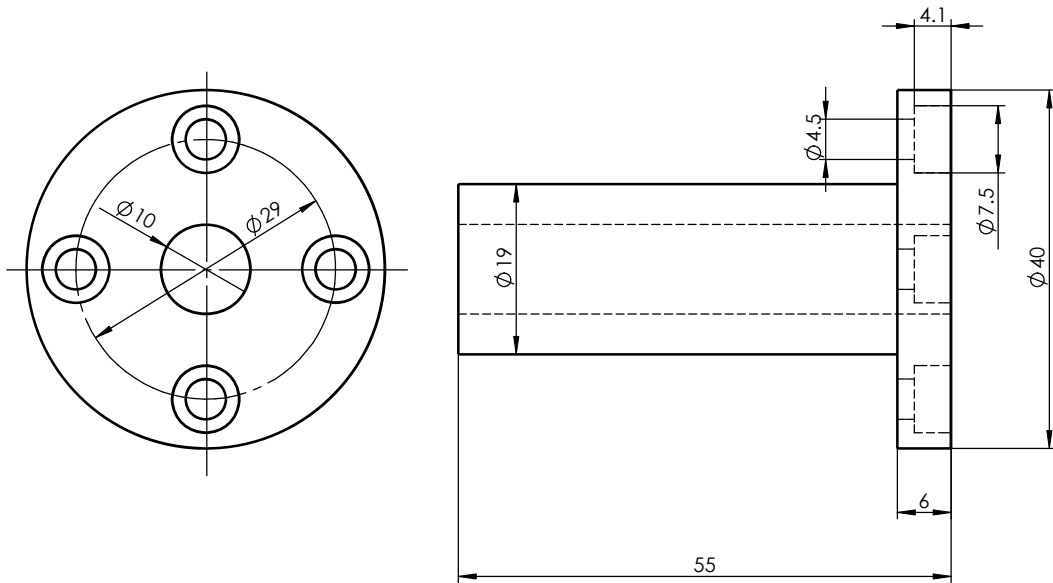


Size Unit: mm



Register  
Tracing  
Calibrating  
Former No.  
Drawing No.

|           |          |         |                |            |                    |          |            |  |             |                |  |
|-----------|----------|---------|----------------|------------|--------------------|----------|------------|--|-------------|----------------|--|
|           |          |         |                |            |                    | LMF10LUU |            |  | Drawing No. |                |  |
| Signature | Marker   | Numbers | Reversion      | Signature  | Date               |          |            |  | Material    | Heat Treatment |  |
| Date      | Design   |         | Standarization |            | Drawing Mark       | Weight   | Scale      |  |             |                |  |
|           | Check    |         | Approved       |            |                    |          |            |  |             |                |  |
|           | Review   |         |                |            |                    |          |            |  |             |                |  |
|           | Technics |         | Date           | 2013-11-20 | A Total Of 1 Pages |          | Page No. 1 |  |             |                |  |