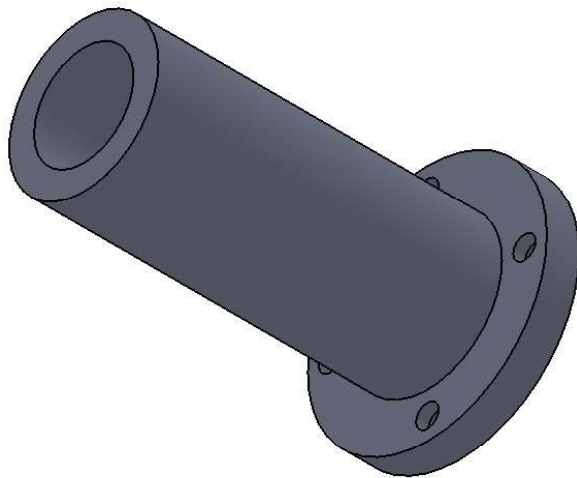
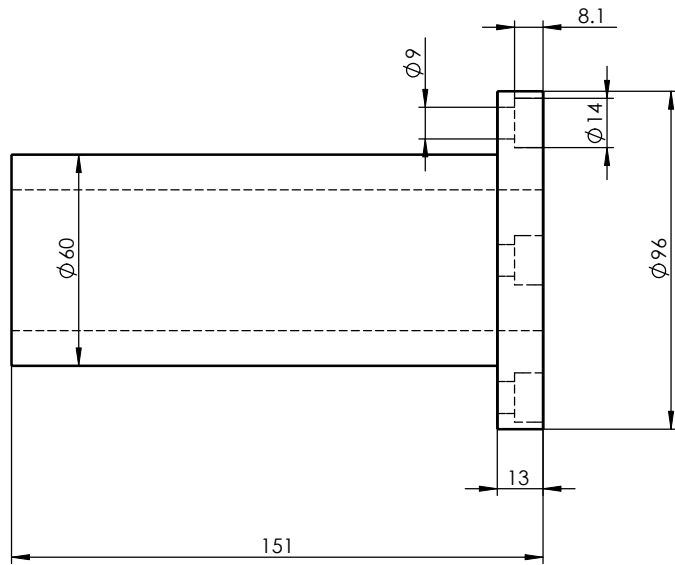
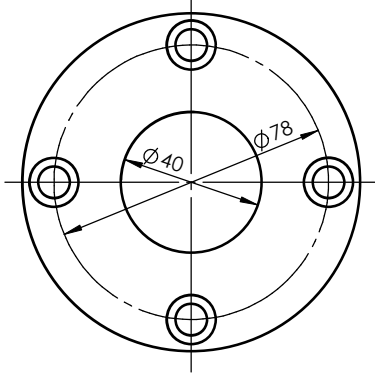


Size Unit: mm



Register
Tracing
Calibrating
Former No.
Drawing No.

						LMF40LUU			Drawing No.	
									Material	
Signature	Marker	Numbers	Reversion	Signature	Date	Drawing Mark		Weight	Scale	
Date	Design		Standarization							
	Check		Approved							
	Review									
	Technics		Date	2013-11-20	A Total Of 1 Pages		Page No. 1			