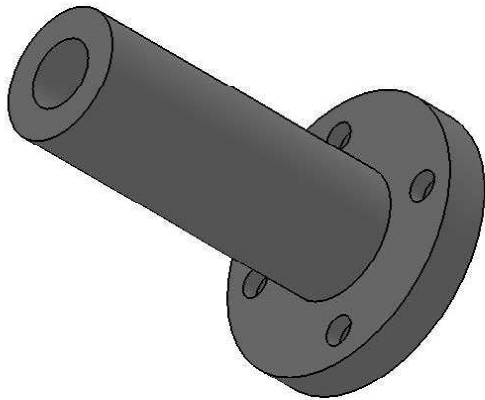
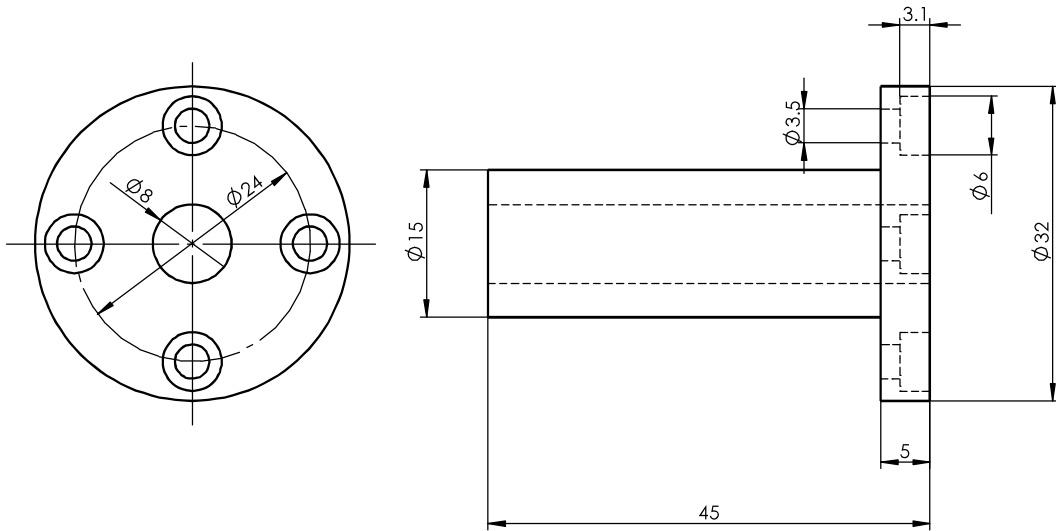


Size Unit: mm



Register
Tracing
Calibrating
Former No.
Drawing No.
Signature
Date
Technics

						LMF8LGA			Drawing No.	
Marker	Numbers	Reversion	Signature	Date	Material				Heat Treatment	
Design		Standarization			Drawing Mark	Weight	Scale			
Check		Approved								
Review										
Technics		Date			A Total Of 1 Pages		Page No. 1			