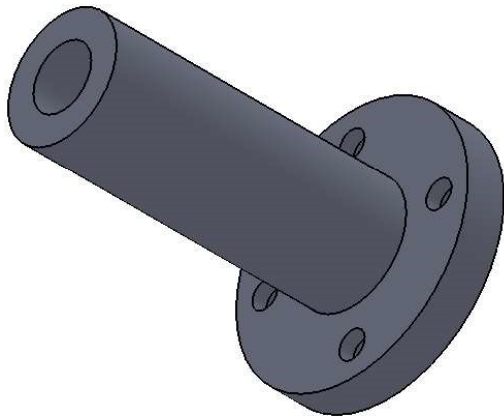
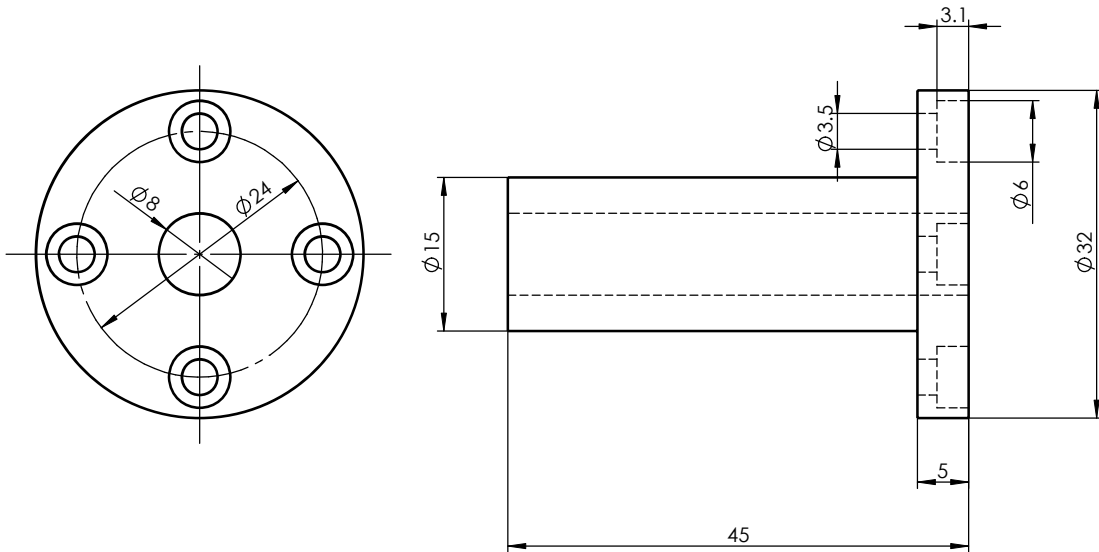


Size Unit: mm



Register
Tracing
Calibrating
Former No.
Drawing No.

						LMF8LUU			Drawing No.	
Signature									Material	Heat Treatment
	Marker	Numbers	Reversion	Signature	Date	Design				
	Check	Standarization		Approved		Drawing Mark		Weight	Scale	
	Review									
Date			Date	2013-11-20	A Total Of 1 Pages		Page No. 1			