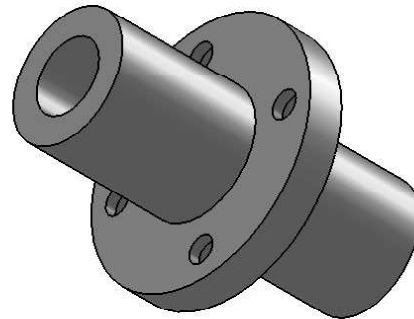
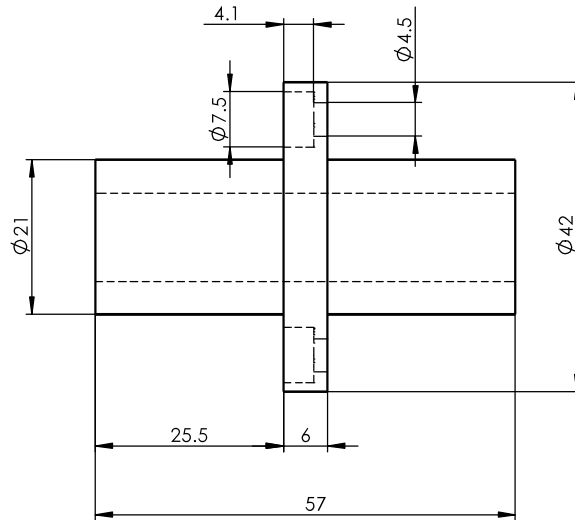
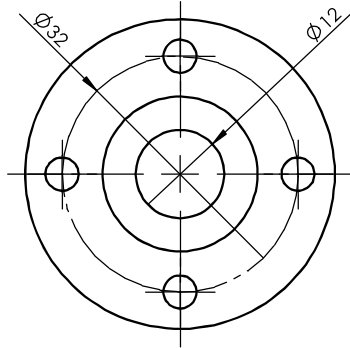


Size Unit: mm



Register
Tracing
Calibrating
Former No.
Drawing No.
Signature
Date
Technics

						LMFM12LGA			Drawing No.		
Marker	Numbers	Reversion	Signature	Date	Material					Heat Treatment	
Design		Standarization		Drawing Mark		Weight	Scale				
Check		Approved									
Review											
Technics		Date		A Total Of 1 Pages			Page No. 1				