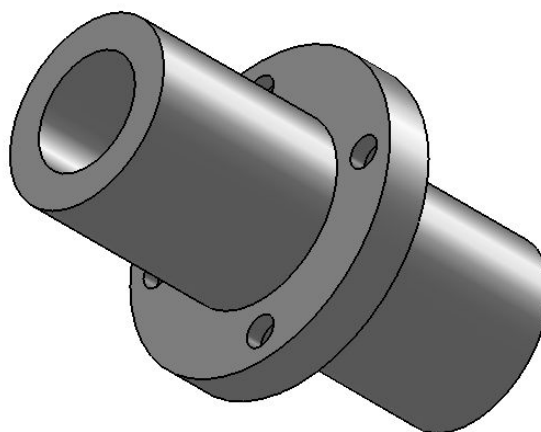
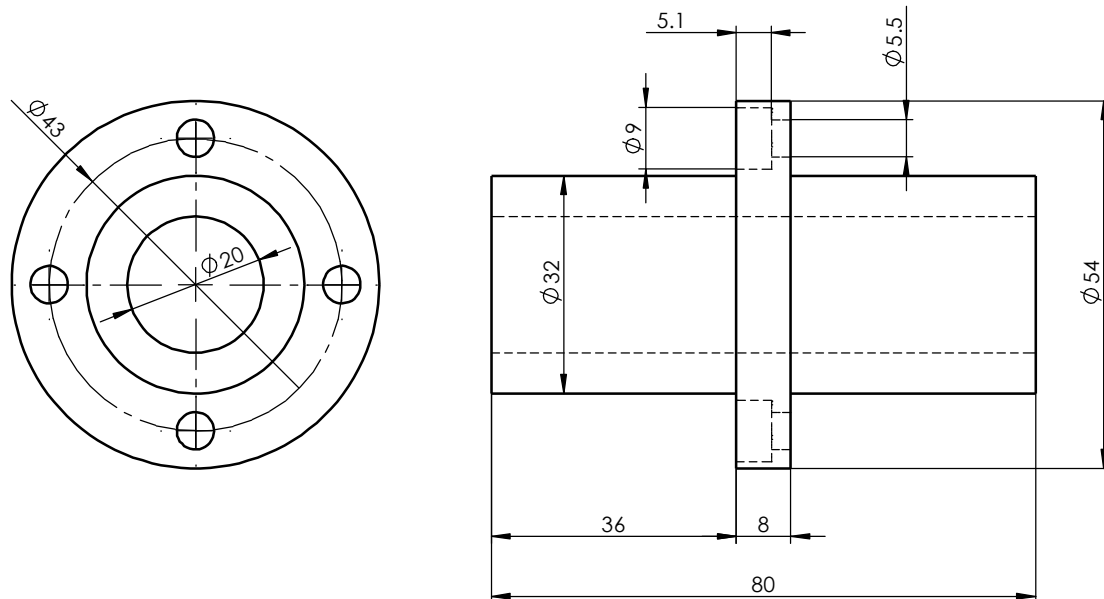


Size Unit: mm



Register

Tracing

Calibrating

Former No.

Drawing No.

LMFM20LGA

Drawing No.

1

Signature

Marker Numbers Reversion Signature Date

Material

Heat Treatment

Date

Design Standarization Drawing Mark Weight Scale  
 Check Approved  
 Review  
 Technics Date

A Total Of 1 Pages Page No. 1