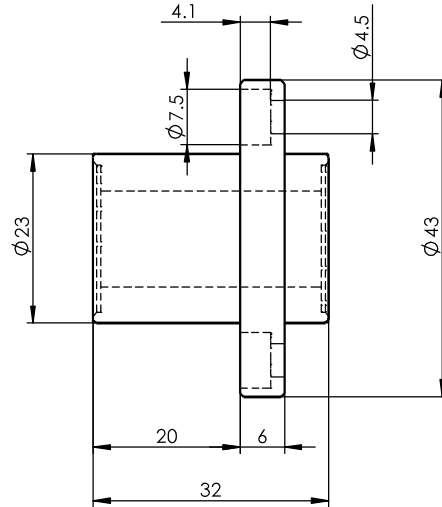
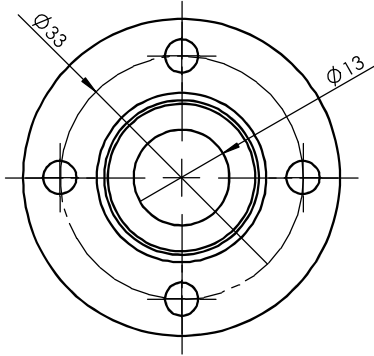


Size Unit: mm



Register  
Tracing  
Calibrating  
Former No.  
Drawing No.

LMFP13GA						Drawing No.		
						Material		Heat Treatment
Signature	Marker	Numbers	Reversion	Signature	Date			
Date	Design		Standarization		Drawing Mark		Weight	Scale
	Check		Approved					
	Review							
	Technics		Date		A Total Of 1 Pages		Page No. 1	