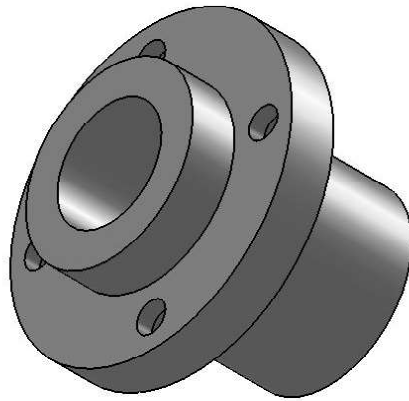
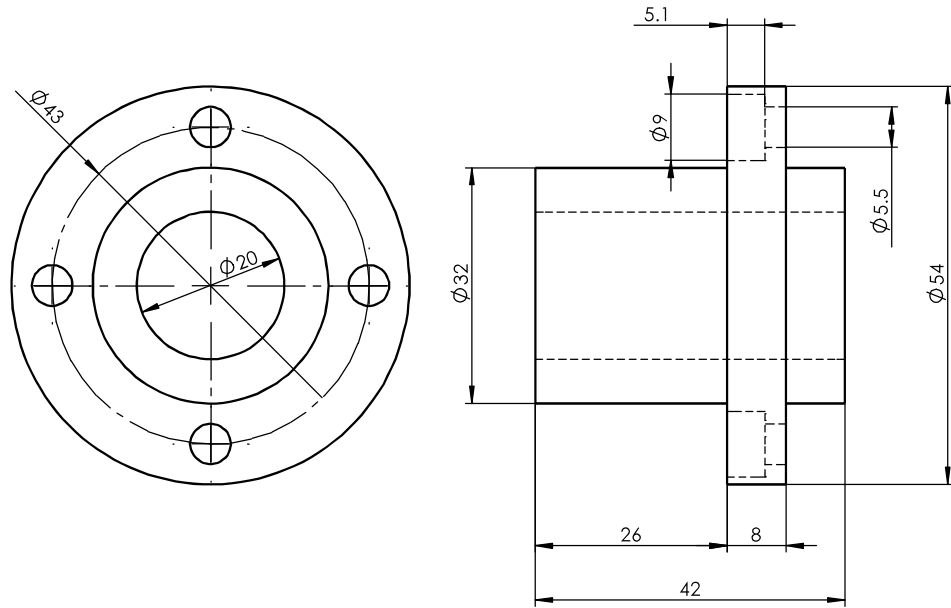


Size Unit: mm



Register
Tracing
Calibrating
Former No.
Drawing No.
Signature
Date
Technics

						LMFP20GA			Drawing No.	
Marker	Numbers	Reversion	Signature	Date	Material				Heat Treatment	
Date	Design	Standarization		Drawing Mark		Weight	Scale			
	Check	Approved								
	Review									
	Technics		Date	A Total Of 1 Pages			Page No. 1			