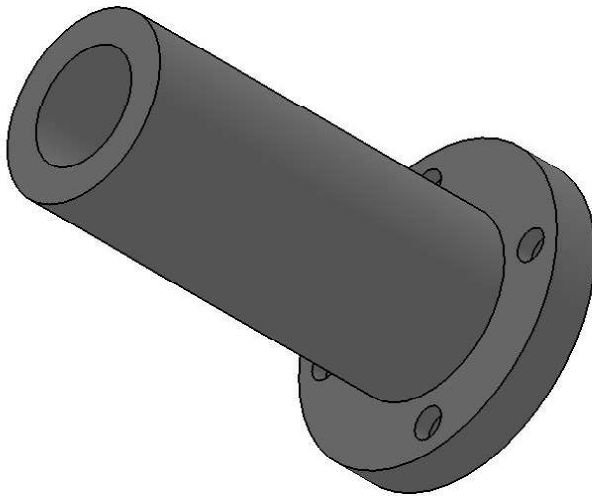
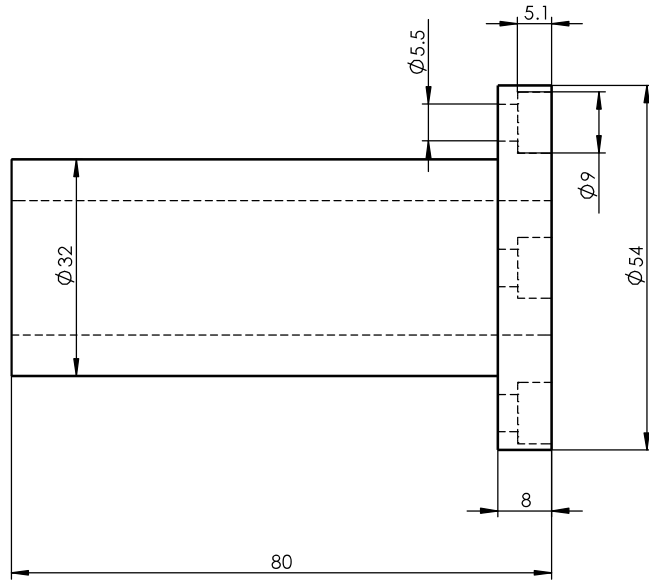
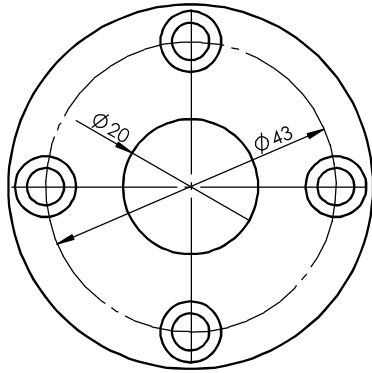


Size Unit: mm



Register
Tracing
Calibrating
Former No.
Drawing No.

						LMF20LGA			Drawing No.		
Signature									Material		Heat Treatment
Marker		Numbers		Reversion		Signature		Date			
Design				Standarization				Drawing Mark		Weight	
Check				Approved							
Date		Review									
Technics				Date				A Total Of 1 Pages		Page No. 1	