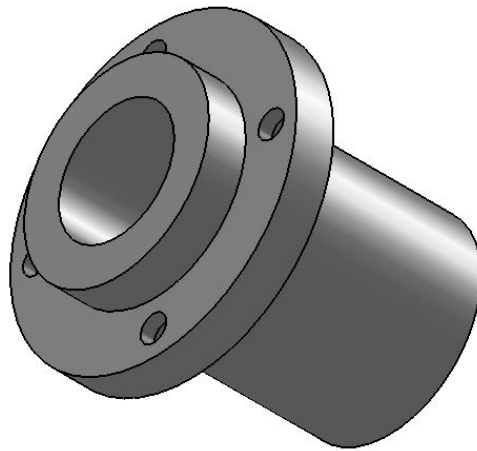
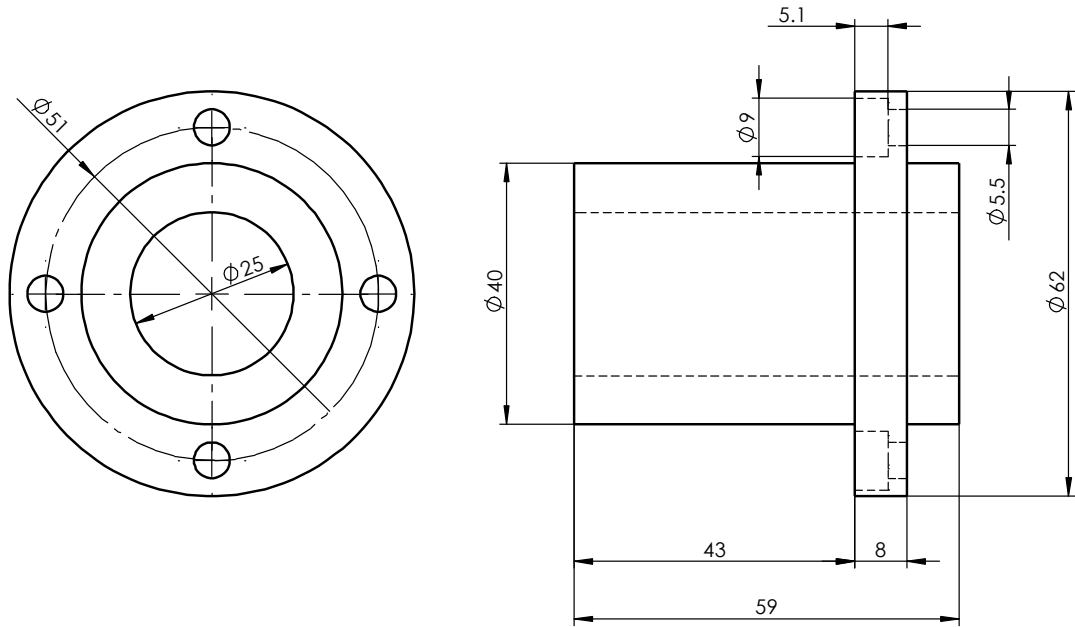


Size Unit: mm



Register
Tracing
Calibrating
Former No.
Drawing No.

						LMFP25GA			Drawing No.	1
Signature	Marker	Numbers	Reversion	Signature	Date				Material	
Date	Design		Standarization		Drawing Mark	Weight	Scale			
	Check		Approved							
	Review									
	Technics		Date		A Total Of 1 Pages		Page No. 1			