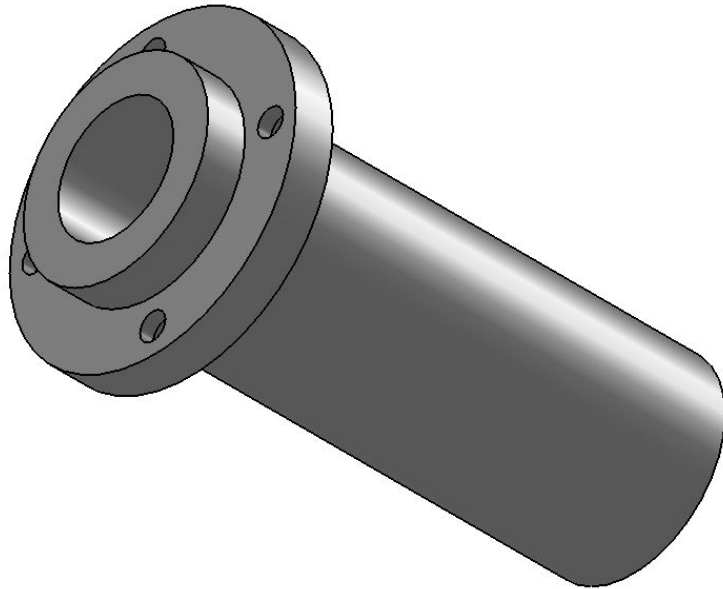
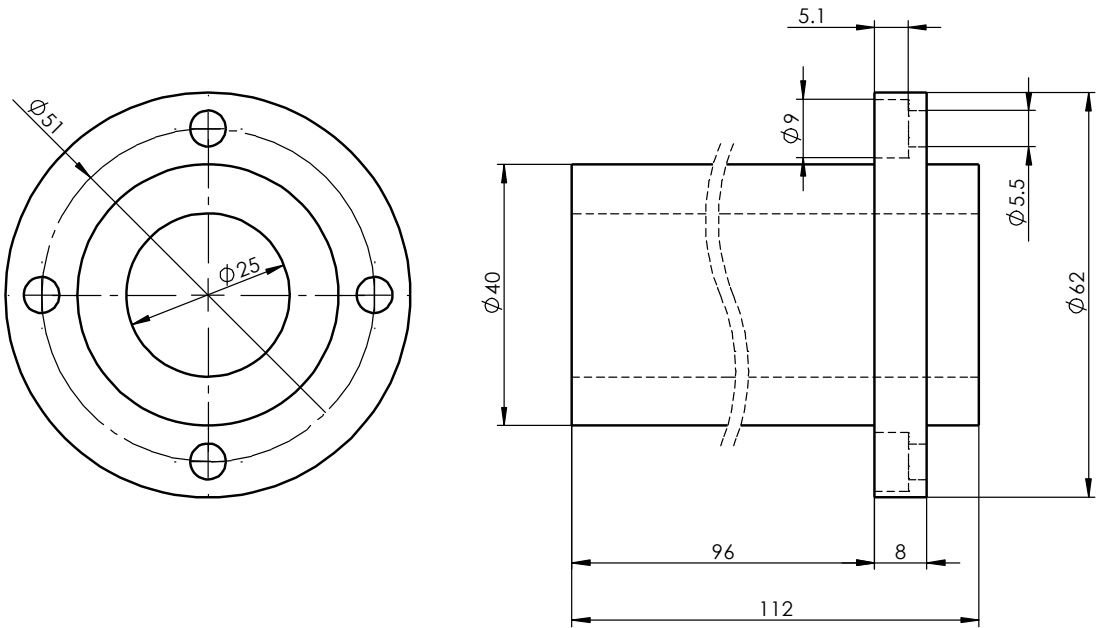


Size Unit: mm



Register  
Tracing  
Calibrating  
Former No.  
Drawing No.

						LMFP25LGA			Drawing No.		
Signature	Marker	Numbers	Reversion	Signature	Date				Material	Heat Treatment	
	Design		Standarization		Drawing Mark	Weight	Scale				
Date	Check		Approved								
	Review										
	Technics		Date			A Total Of 1 Pages	Page No. 1				