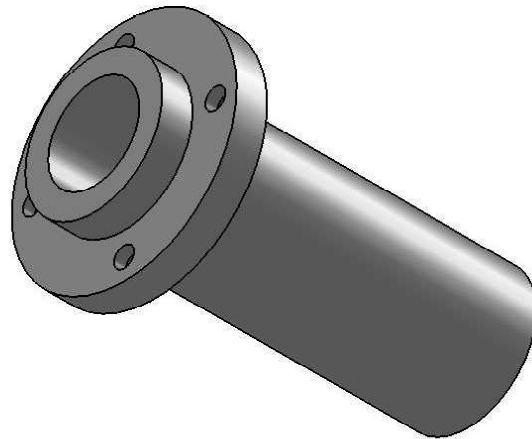
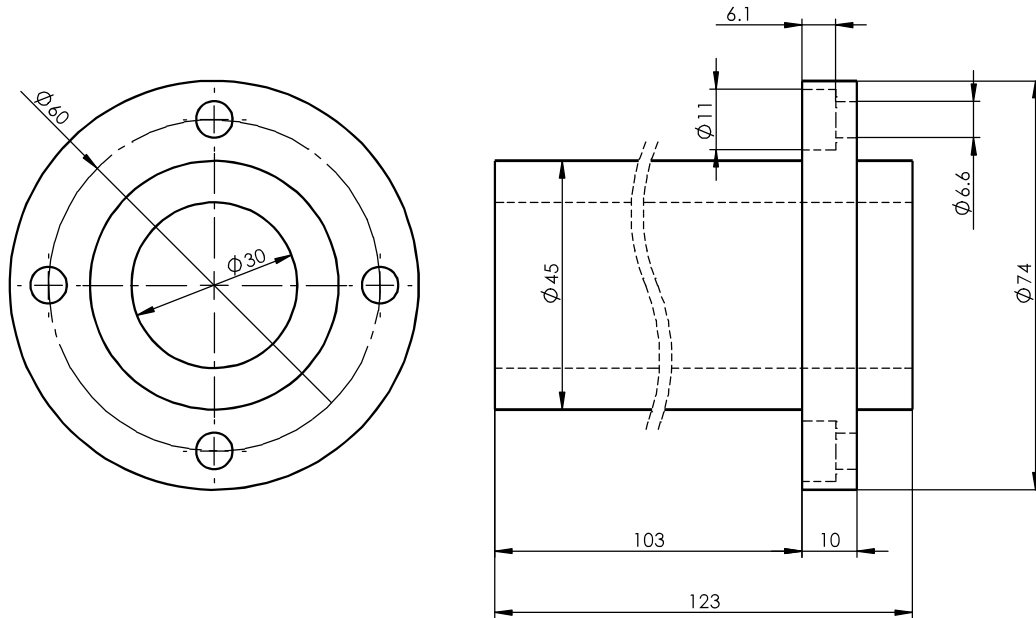


Size Unit: mm



Register
Tracing
Calibrating
Former No.
Drawing No.

						LMFP30LGA			Drawing No.	
Signature									Material	
Marker	Numbers	Reversion	Signature	Date		Drawing Mark		Weight	Scale	
Design		Standarization								
Check		Approved								
Review										
Technics		Date				A Total Of 1 Pages		Page No. 1		