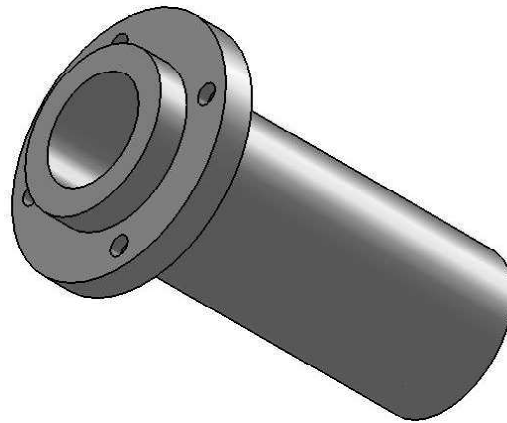
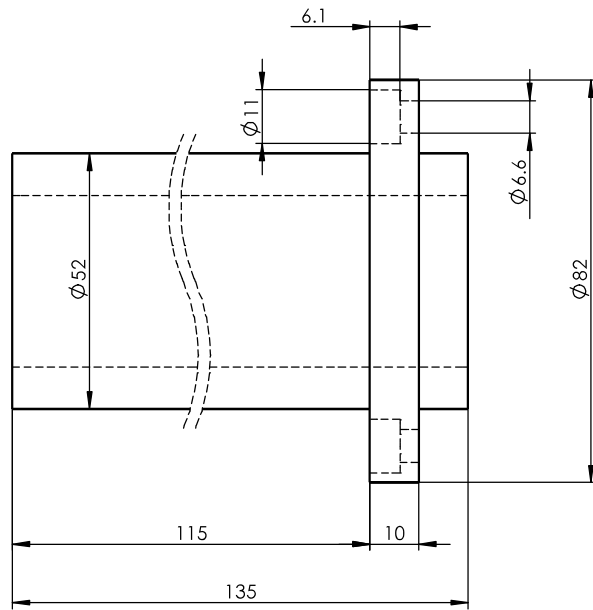
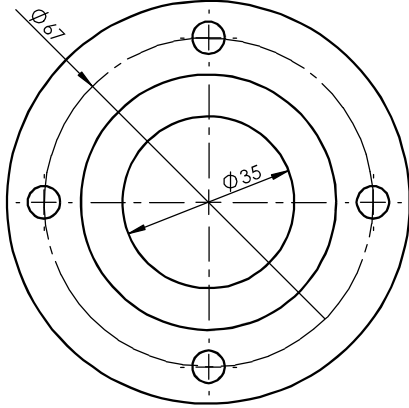


Size Unit: mm



Register
Tracing
Calibrating
Former No.
Drawing No.

| | | | | | | | | | | |
|-----------|--|--------|---------|----------------|-----------|--------------------|--|------------|-------------|----------|
| | | | | | | LMFP35LGA | | | Drawing No. | |
| Signature | | Marker | Numbers | Reversion | Signature | | | | Date | Material |
| Date | | Design | | Standarization | | Drawing Mark | | Weight | Scale | |
| | | Check | | Approved | | | | | | |
| | | Review | | | | | | | | |
| Technics | | | | Date | | A Total Of 1 Pages | | Page No. 1 | | |